

# PULL-OUT TYPE VERTICAL SHAFT PUMP

Model VSP



## EBARA VIETNAM PUMP COMPANY LIMITED (EVPC)

### HEAD OFFICE & FACTORY:

Lot XN01, Lai Cach Industrial Park, Cam Giang District, Hai Duong Province, Vietnam  
Tel: (84) 0320-3850 182  
Fax: (84) 0320-3850 180  
Website: [www.ebarapump.com.vn](http://www.ebarapump.com.vn)

### HANOI BRANCH:

Unit 022, 2nd Floor, No.14 Thuy Khue Street, Tay Ho District, Hanoi, Vietnam  
Tel: (84) 04-328 99911  
Fax: (84) 04-328 99955

### HO CHI MINH REPRESENTATIVE OFFICE:

Unit 2, 4th Floor, Central Park Tower, No.117 Nguyen Du Street,  
Ben Thanh Ward, District 1, Ho Chi Minh City, Vietnam  
Tel: (84) 08-6298 7555  
Fax: (84) 08-6291 3056

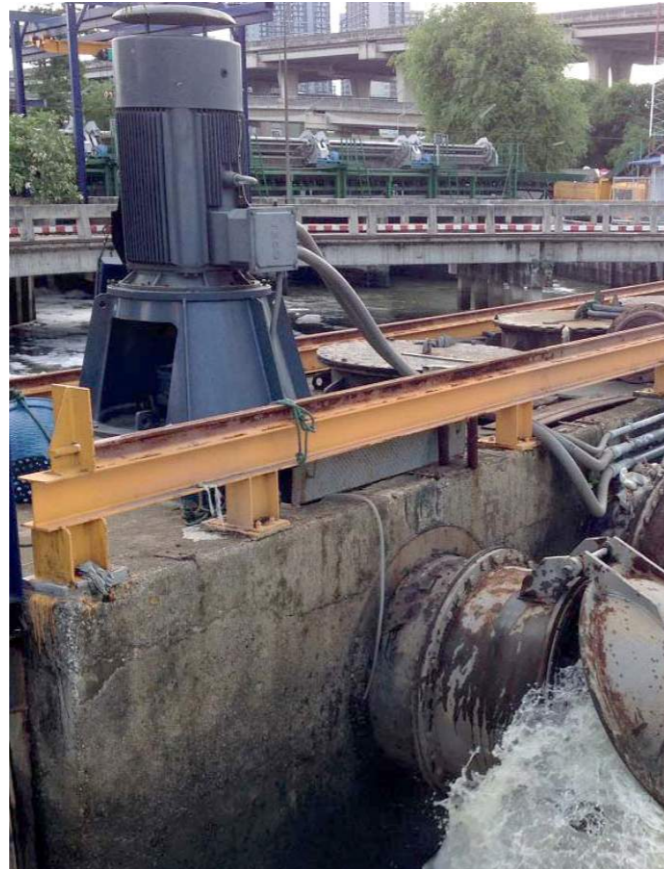


## Applications

- River water drainage
- Irrigation and drainage
- Water intake/transfer for general industrial use
- Water intake/transfer for city water and sewerage works

## Features

- **Simple construction**
  - Pull-out structure allows disassembly and assembly without disconnect of discharge pipe, easy transportation, maintenance and installation.
  - Pump can be disassembled without dewatering of suction pit.
- **Economy**
  - Smaller installation space than that of horizontal pumps.
  - Can re-use existing column pipe of submersible pump.
- **High Reliability**
  - With special impeller/submerged bearing, pump can operate in condition contains a lot of suspended trash like plastic bag and silt, etc.
  - Without submersible motor, VSP pump system is more higher reliability.
- **High Efficiency**
  - Guaranteed high performance, quality and prompt delivery.

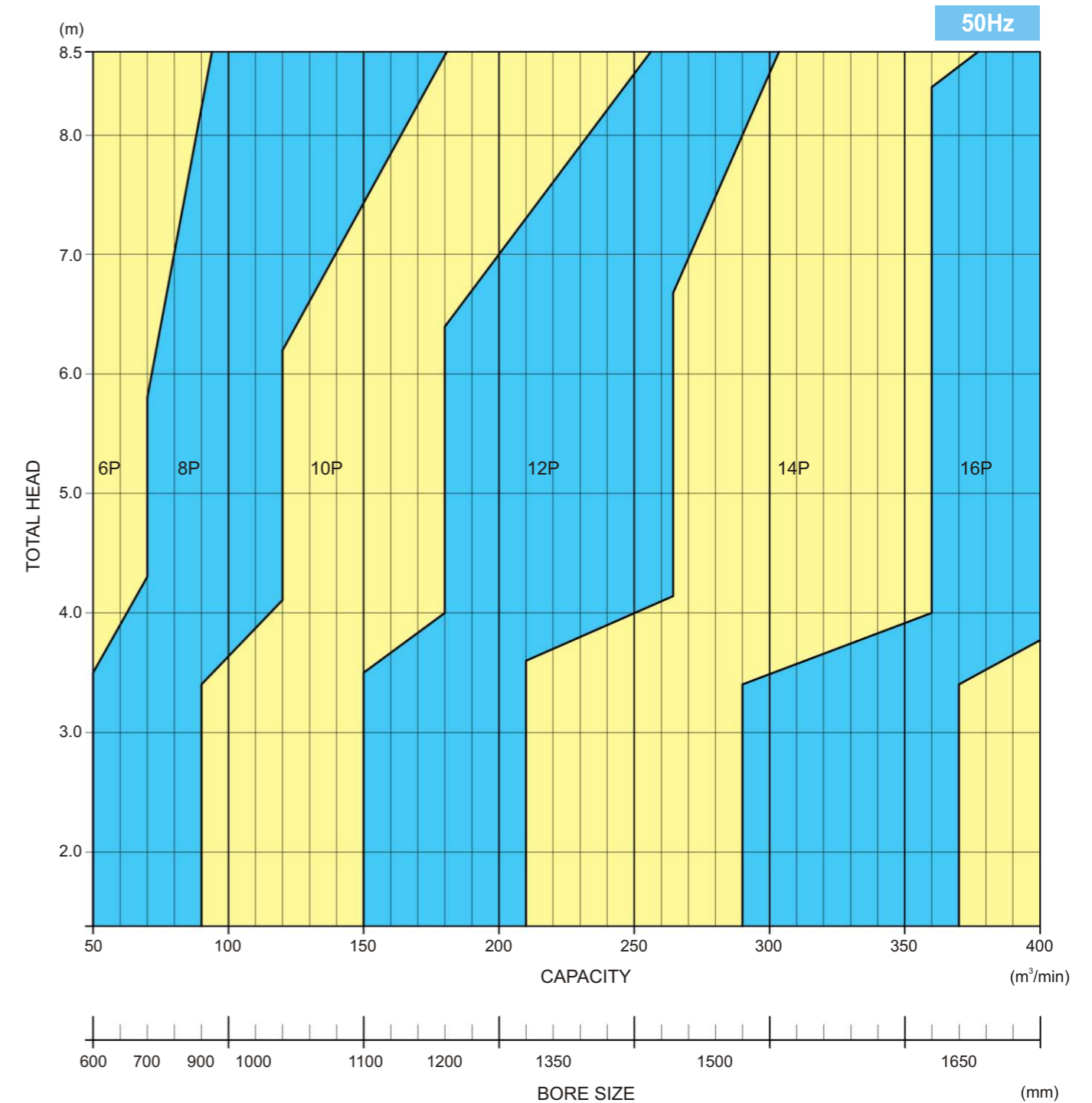


Reusing existing column pipe of submersible pump for VSP pump

## Materials

	Fresh water	River water	Sewage	Sea water
Casing	Rolled Steel	Rolled Steel	Rolled Steel	Low Alloy C.I./ Ni-resist D2/ 316 Stainless Steel
Impeller	Bronze/ Stainless Steel	Bronze/ Stainless Steel	Bronze/ Stainless Steel	Stainless Steel
Shaft	Carbon Steel/ Stainless Steel	Carbon Steel/ Stainless Steel	Carbon Steel/ Stainless Steel	Stainless Steel
Shaft sleeve	Stainless Steel	Stainless Steel	Stainless Steel	Stainless Steel
Pump base	Rolled Steel			
Driver pedestal	Rolled Steel			
Pipe	Rolled Steel			

- Other materials such as Nickel aluminium bronze, Duplex stainless steel, Monel, Alloy 20, etc. can also be applied.
- Selection of material requires careful study of the properties of the liquid handled and operating condition, etc. For specific details, please consult our factory.
- Other specifications can be available. Please consult our factory.



## Note

- For detail selection, please contact our factory.
- Pump rating not in the chart is also available.
- Selected bore/speed may differ depending on actual service conditions.

# MODEL VSP / Construction

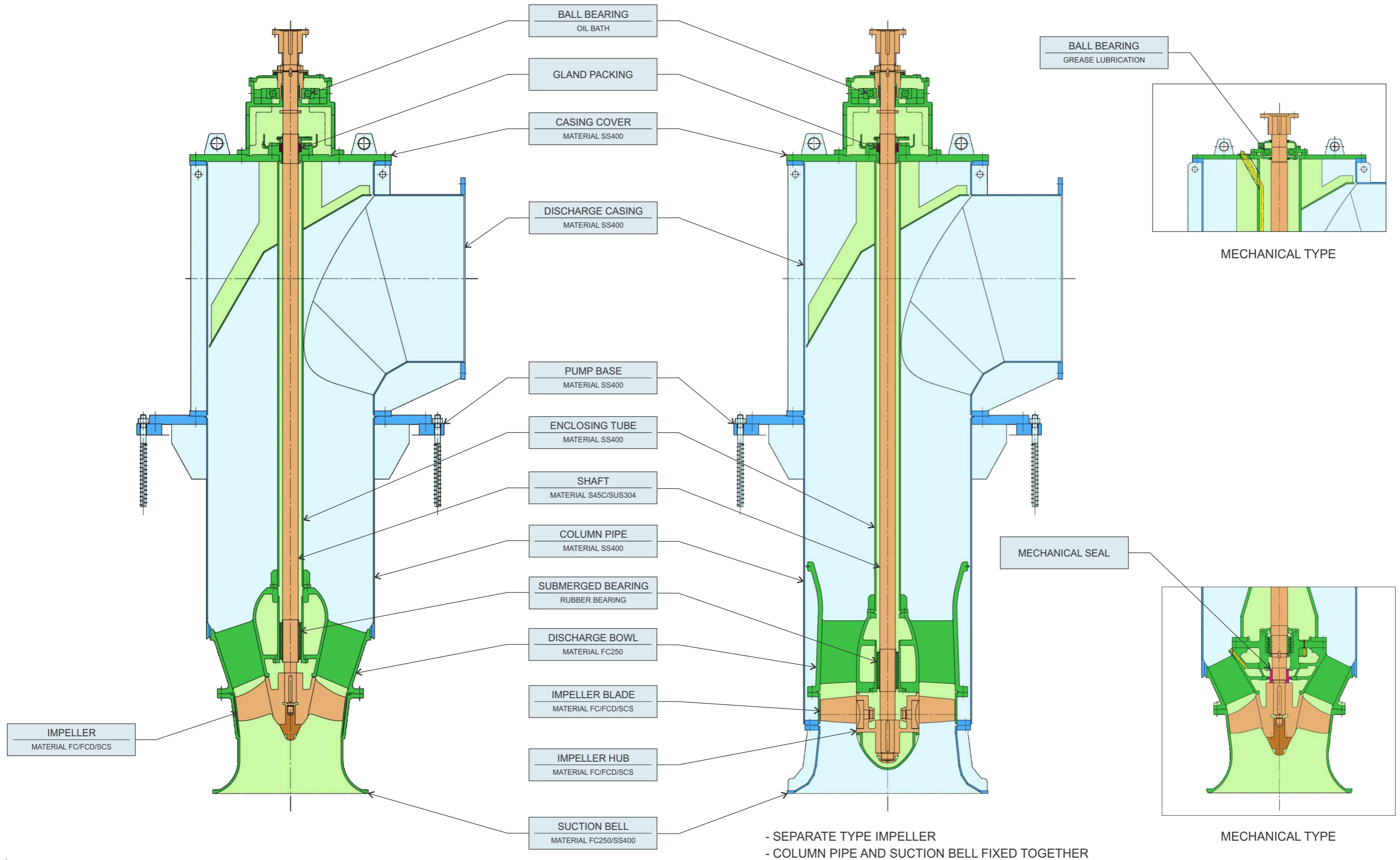
Capacity: 50 ~ 400m<sup>3</sup>/min (3,000 ~ 24,000m<sup>3</sup>/h)

Total Head: 2 ~ 12m

**ORIGINAL**

**OPTION 1**

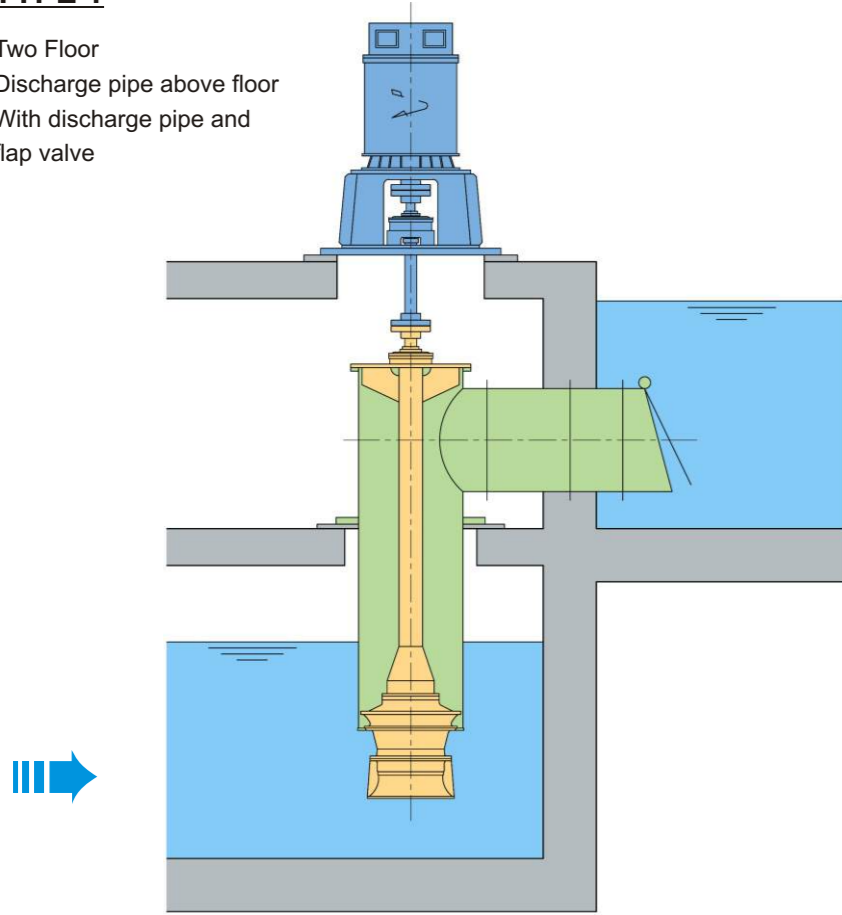
**OPTION 2**



# MODEL VSP / Typical Installation

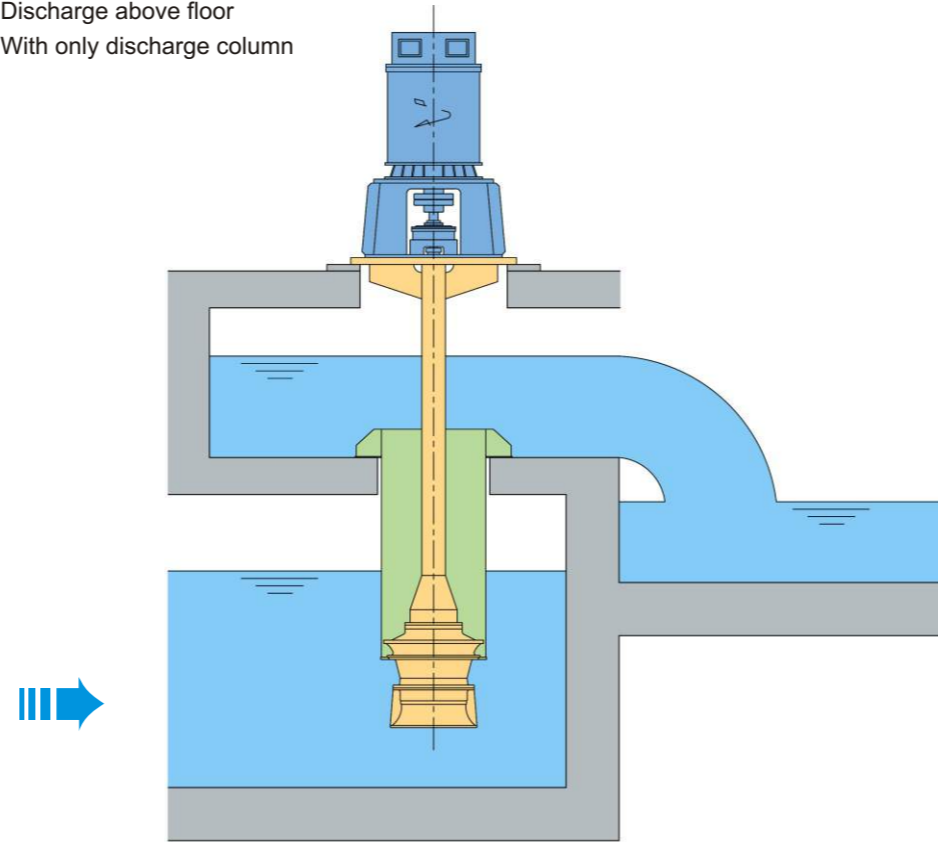
## TYPE 1

- Two Floor
- Discharge pipe above floor
- With discharge pipe and flap valve



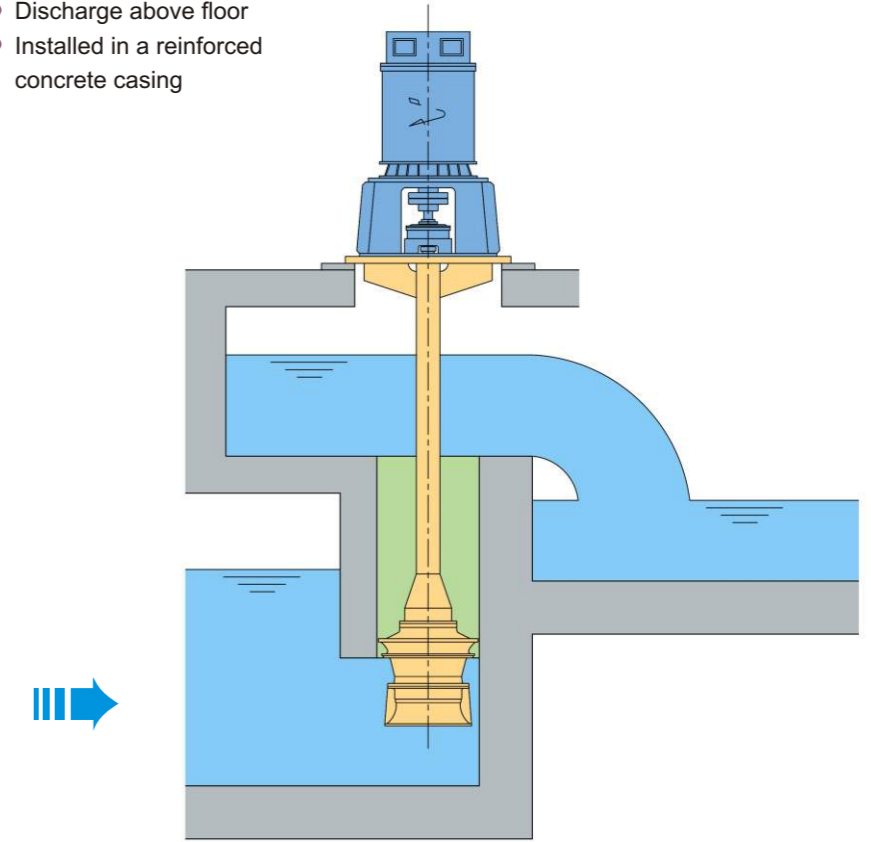
## TYPE 2

- Two Floor
- Discharge above floor
- With only discharge column



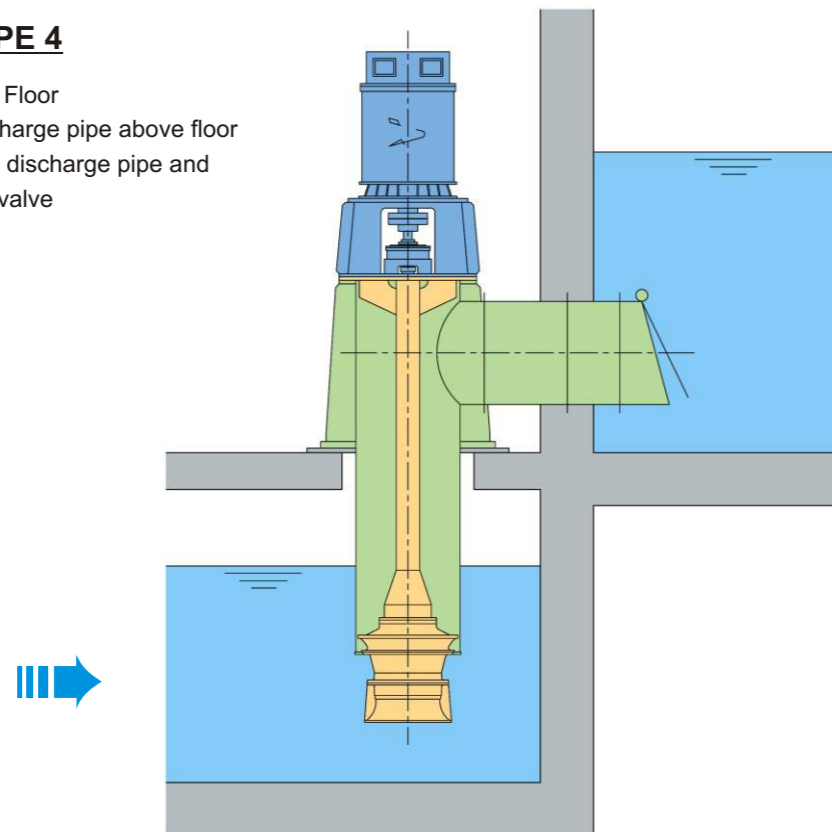
## TYPE 3

- Two Floor
- Discharge above floor
- Installed in a reinforced concrete casing



## TYPE 4

- One Floor
- Discharge pipe above floor
- With discharge pipe and flap valve



## TYPE 5

- One Floor
- Discharge pipe below floor
- With discharge pipe and flap valve

