

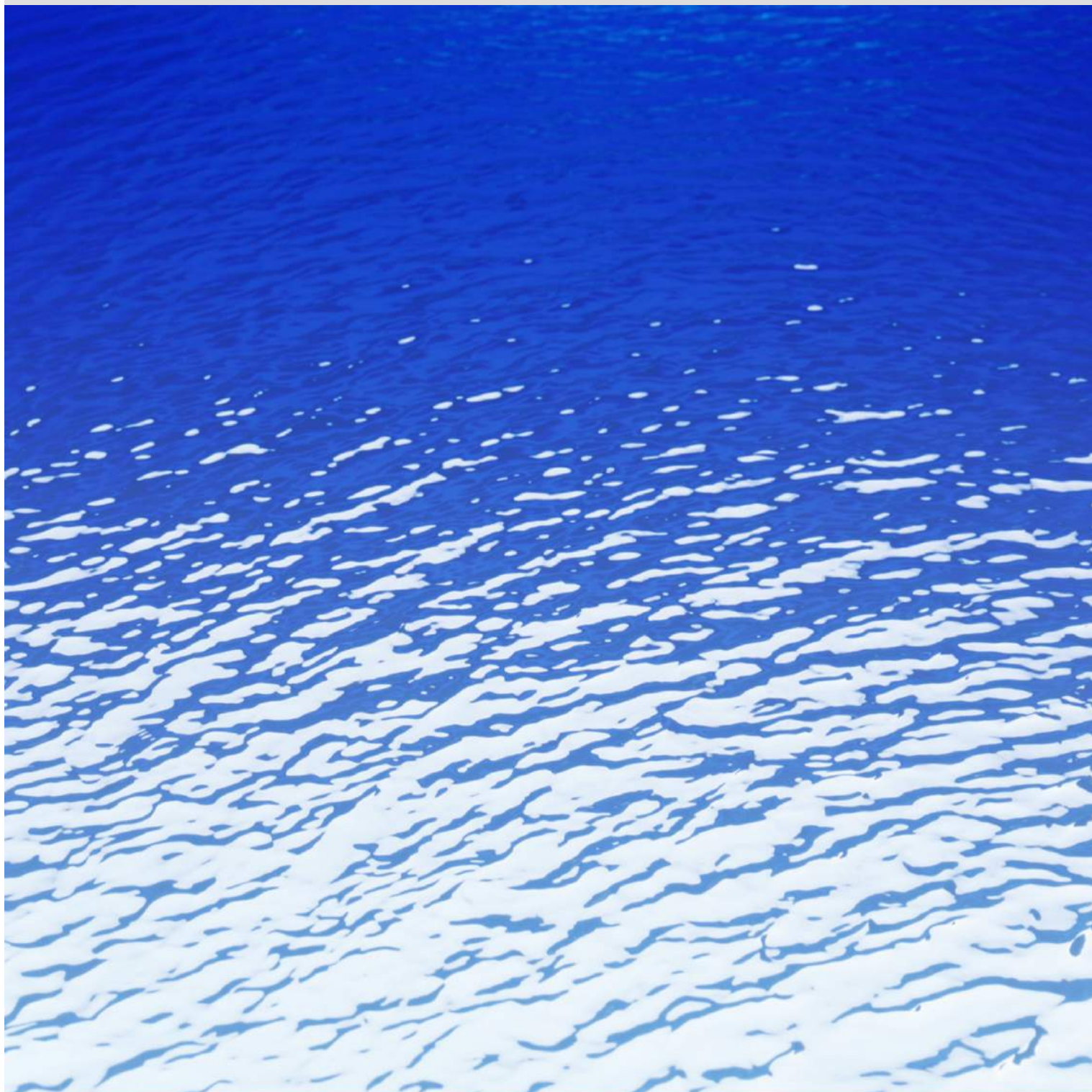


EBARA

CP3201ED

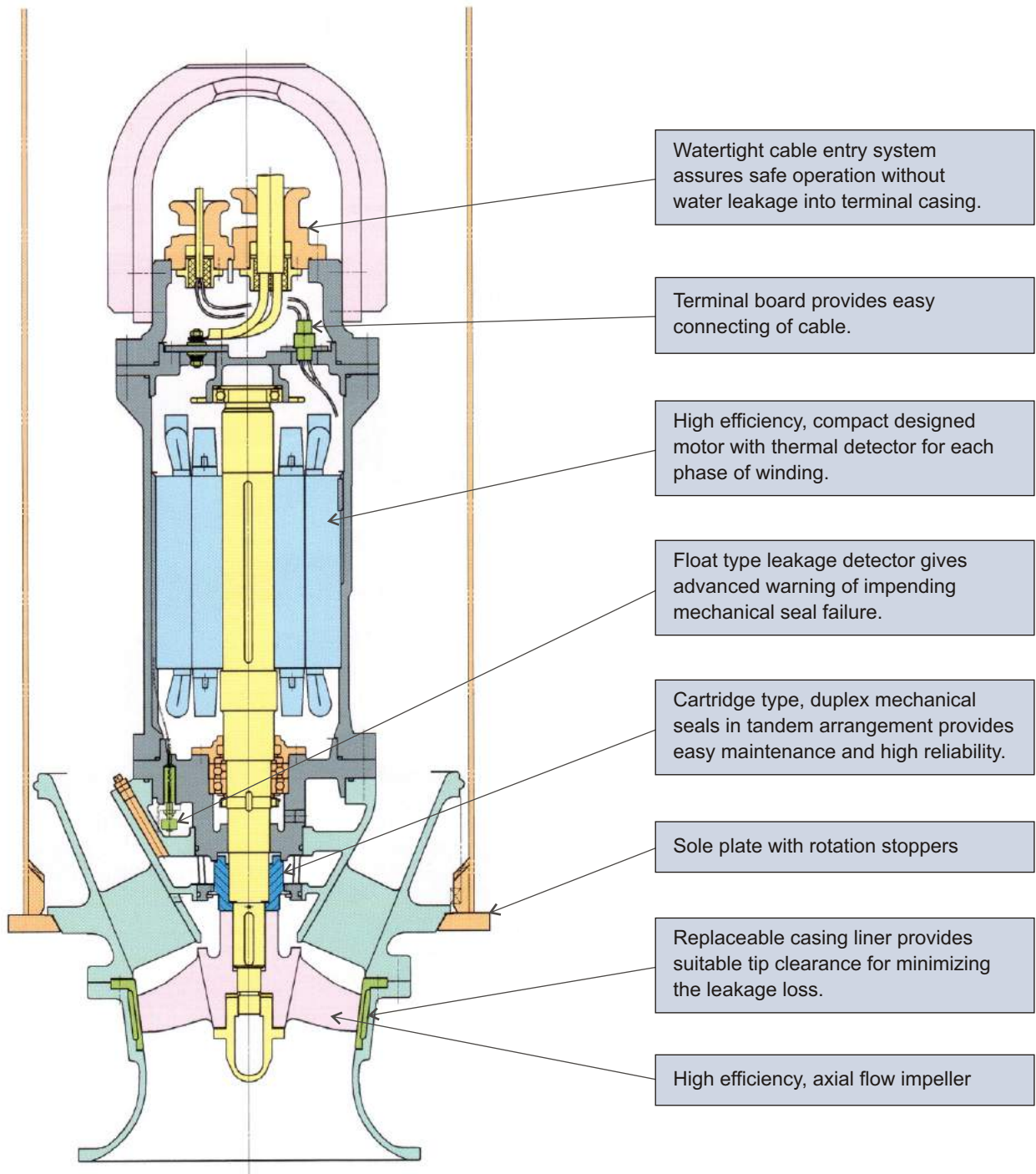
SUBMERSIBLE MOTOR PUMP

TYPE : DSZ3



TYPE DSZ3

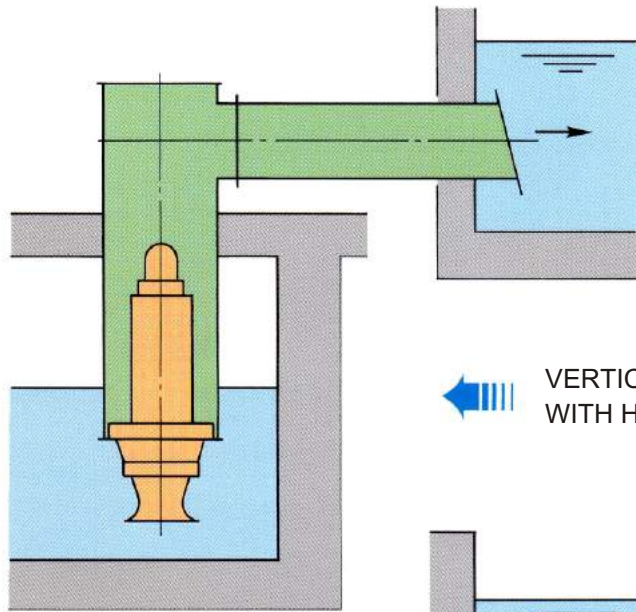
DESIGN AND FEATURES



WIDE RANGE OF APPLICATIONS

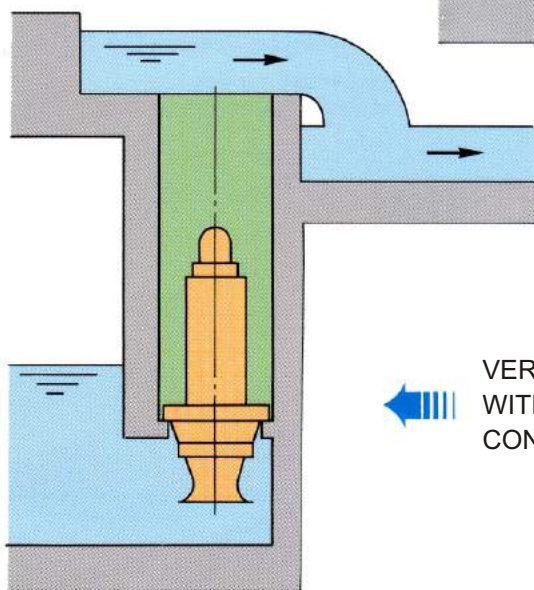
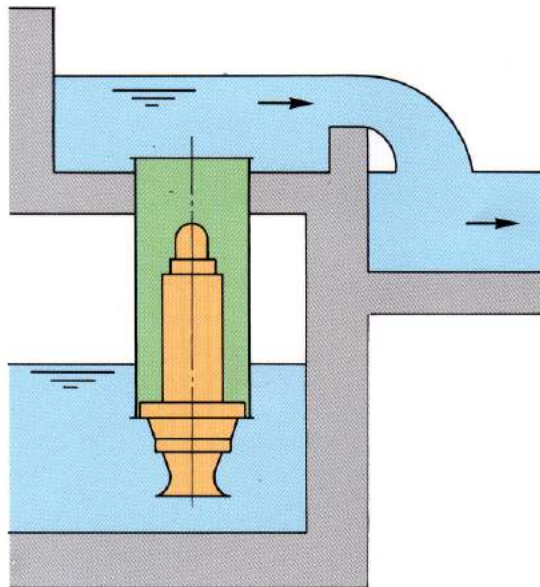
STORM WATER, EFFLUENT, RAW WATER, ETC.

TYPICAL INSTALLATION



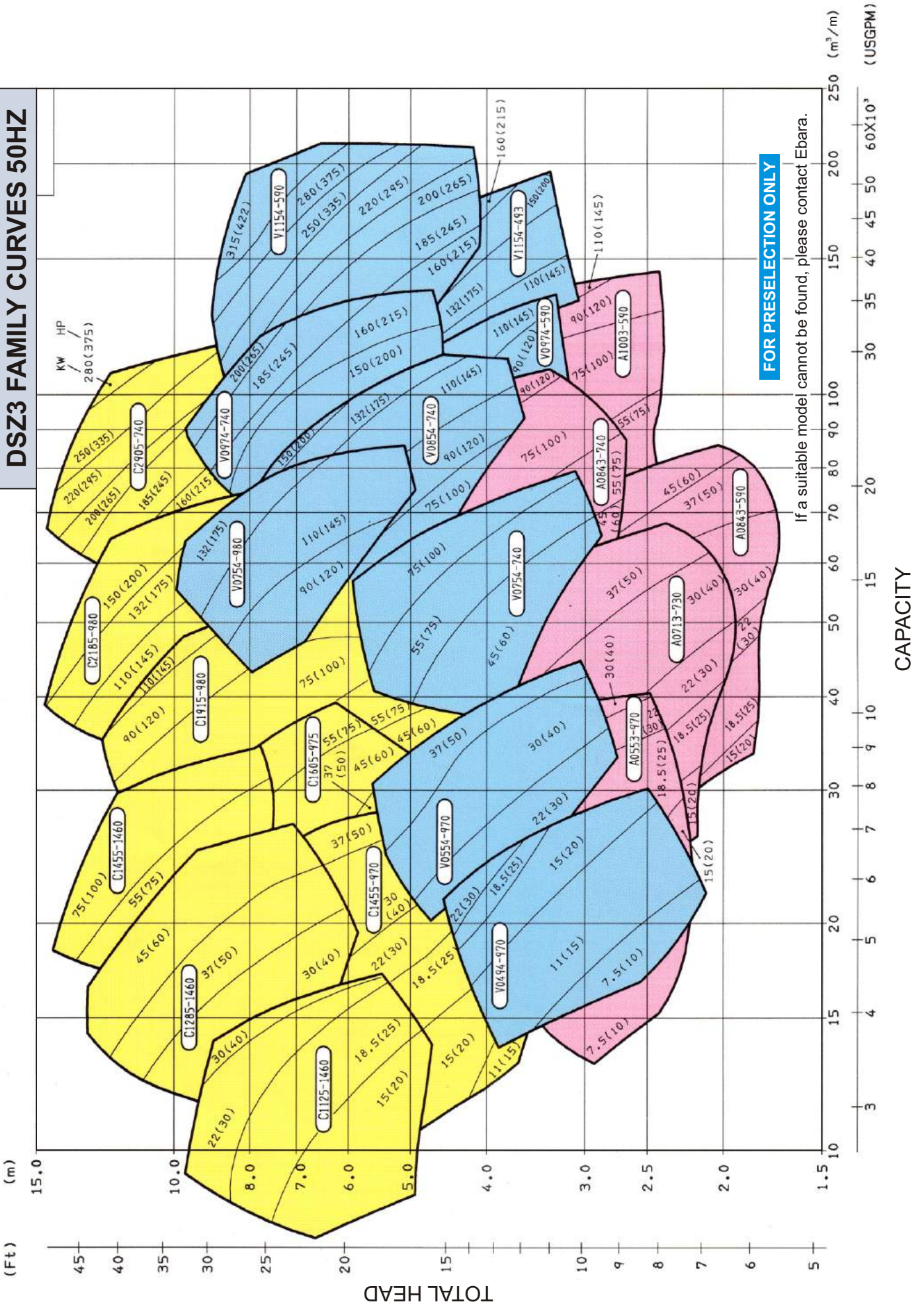
VERTICAL SUSPENDED COLUMN WITH HORIZONTAL DISCHARGE

VERTICAL SUSPENDED COLUMN WITH VERTICAL DISCHARGE



VERTICAL DISCHARGE WITH REINFORCED CONCRETE CASING

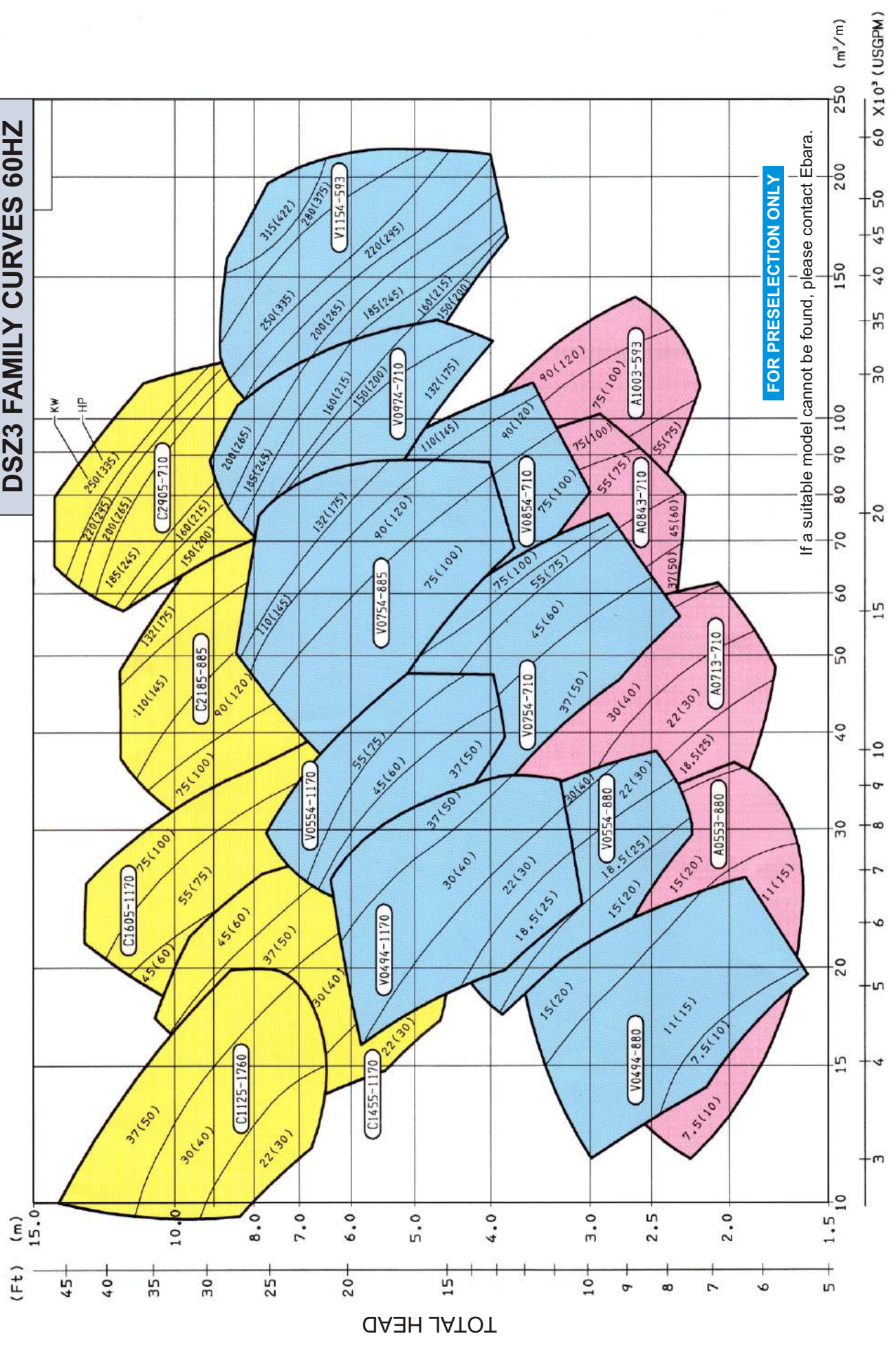
DSZ3 FAMILY CURVES 50HZ



FOR PRESELECTION ONLY

If a suitable model cannot be found, please contact Ebara.

DSZ3 FAMILY CURVES 60HZ



FOR PRESELECTION ONLY

If a suitable model cannot be found, please contact Ebara.



EBARA CORPORATION

Head Office:

11-1, Haneda Asahi-cho, Ohta-ku,
Tokyo, 144-8510 Japan
Phone: Tokyo 3743-6111
Cable: EBARAMAIN TOKYO
Int'l Telex: J22988 EBARA TYO
Fax: Tokyo 3745-3356

Sales headquarter:

NISSAY AROMA SQUARE, 5-37-1, Kamata,
Ohta-ku, Tokyo, 144-8721 Japan
Phone: 81-3-5714-6111
Fax: 81-3-5714-6081

Please send your enquiries to the above International Division

○ : Liaison Offices

■ AMERICA

UNITED STATES OF AMERICA

Ebara America Corporation (Milpitas)
Ebara International Corporation (Sparks)
Airvac, Inc. (Rochester)
Ebara Technologies Incorporated (Sacramento)
Ebara Solar, Inc. (Large, PA)

BRAZIL

Ebara Indústrias Mecânicas e Comércio Ltda.
(São Paulo)

■ EUROPE

UNITED KINGDOM

Ebara UK Limited (Hounslow)
Ebara Pumps UK Limited (Hounslow)

ITALY

- Italia Branch Office (Vicenza)
Ebara Pumps Europe S.p.A (Vicenza)

SPAIN

Ebara Espana Bombas S.A. (Madrid)

GERMANY

Ebara Germany GmbH (Hanau)
Ebara Pumpen GmbH (Dietzenbach)

■ ASIA

PEOPLE'S REPUBLIC OF CHINA

- Beijing Office (Beijing)
Ying Kou Ebara Co., Ltd. (Ying Kou)
Ebara Qingdao Co., Ltd. (Qingdao)
Yantai Ebara Air Conditioning Equipment Co., Ltd.
(Yantai)
Shanghai Ebara Engineering and Services Co., Ltd.
(Shanghai)
Sinopec-Ebara Machinery Co., Ltd. (Beijing)

KOREA

Ebara Precision Machinery Korea Inc. (Seoul)
Hyosung-Ebara Co., Ltd. (Seoul)
Hyosung-Ebara Environment Engineering Co., Ltd.
(Seoul)

TAIWAN

- Taipei Office (Taipei)
Ebara-Densan Taiwan Manufacturing Co., Ltd.
(Tao Yuen Hsien)
Ebara-Elliott Service (Taiwan) Co., Ltd. (Taichung)
Ebara Kailay Environmental Engineering Co., Ltd.
(Taipei)
Ebara Precision Machinery Taiwan Incorporated
(Taipei)

SINGAPORE

- Singapore Branch Office (Singapore)
Ebara Engineering Singapore Pte. Ltd.
(Singapore)

INDONESIA

- Jakarta Office (Jakarta)
P.T. Ebara Indonesia (Jawa Barat)
P.T. Ebara Prima Indonesia (Jawa Barat)

PHILIPPINES

- Manila Office (Manila)
Ebara Benguet, Inc. (Laguna)

VIETNAM

- Hanoi Branch Office (Hanoi)
Ebara Vietnam Pump Co., Ltd. (Hai Duong)

THAILAND

- Bangkok Office (Bangkok)
Ebara (Thailand) Limited (Bangkok)

INDIA

Kirloskar Ebara Pumps Limited (Pune)

■ MIDDLE-EAST

UNITED ARAB EMIRATES

- Middle East Office (Dubai)



EBARA VIETNAM PUMP COMPANY LTD.

HEAD OFFICE & FACTORY:

Lot XN01, Lai Cach Industrial Park, Cam Giang District, Hai Duong Province
Tel: 84-320-3850 182 Fax: 84-320-3850 180
Website: www.ebarapump.com.vn

HANOI BRANCH:

Unit 022, 2nd Floor, 14 Thuy Khue Street, Tay Ho District, Hanoi
Tel: 84-4-328 999 11 / 22 / 33 Fax: 84-4-328 999 55

HO CHI MINH REPRESENTATIVE OFFICE:

Room 2, 4th Floor, Central Park Tower, 117 Nguyen Du Street,
Ben Thanh Ward, District 1, Ho Chi Minh City
Tel: 84-8-6298 7555 Fax: 84-8-6291 3056