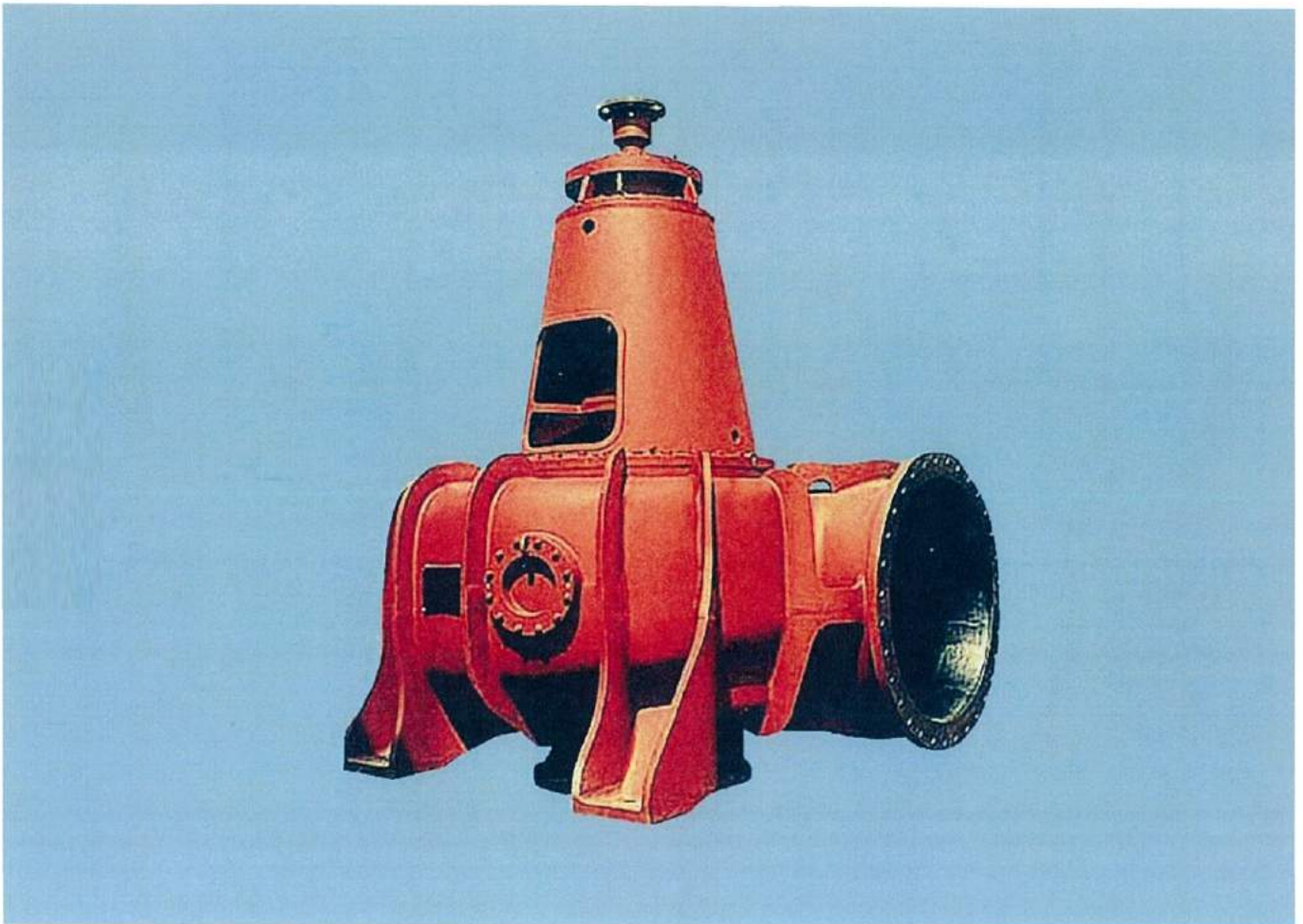




VERTICAL VOLUTE PUMP

VLX Series Model Bore 200 ~ 1000 mm. 50Hz

SD2009ET



• FEATURES •

- Product's quality and performance are superior to others due to standardized production.
- Low price and fast delivery are assured by standardization.
- Free from clogging in sewage treatment.
- Applicable to any construction such as one floor or two floor system.

- Simplified and durable construction enable smooth operation and easy maintenance.
- Large hand hole facilitates inside inspection.
- Each part is interchangeable and makes supply of parts easy.
- Compact and light weight construction saves installation space.

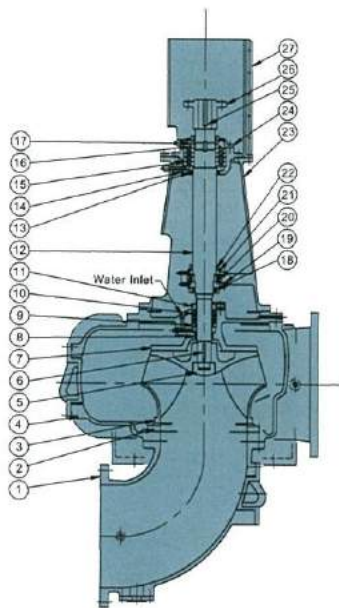
• SPECIFICATIONS •

Rotative direction	: Clockwise as viewed from driver
Impeller	: Single suction open or close type
Bearing	: Ball & roller bearing
Bearing lubrication	: Oil or Grease lubrication
Shaft seal	: Gland packing or Mechanical seal (External water injection system)
Flange	: We can meet demands for any standard.
Suction elbow	: 90° bend type is our standard, however, we can also manufacture special bend type.

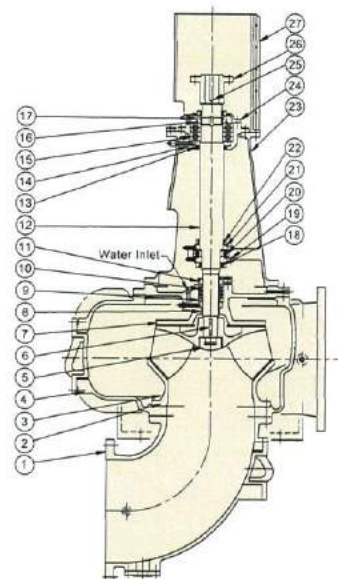
• APPLICATIONS •

- Transfer for sewerage works
 - Water intake
 - Transfer for general industrial use
 - River water drainage
- (Liquid : Sewage, River water, Fresh water, temperature below 80°C (176 °F))

• PART & MATERIAL •



VLY MODEL

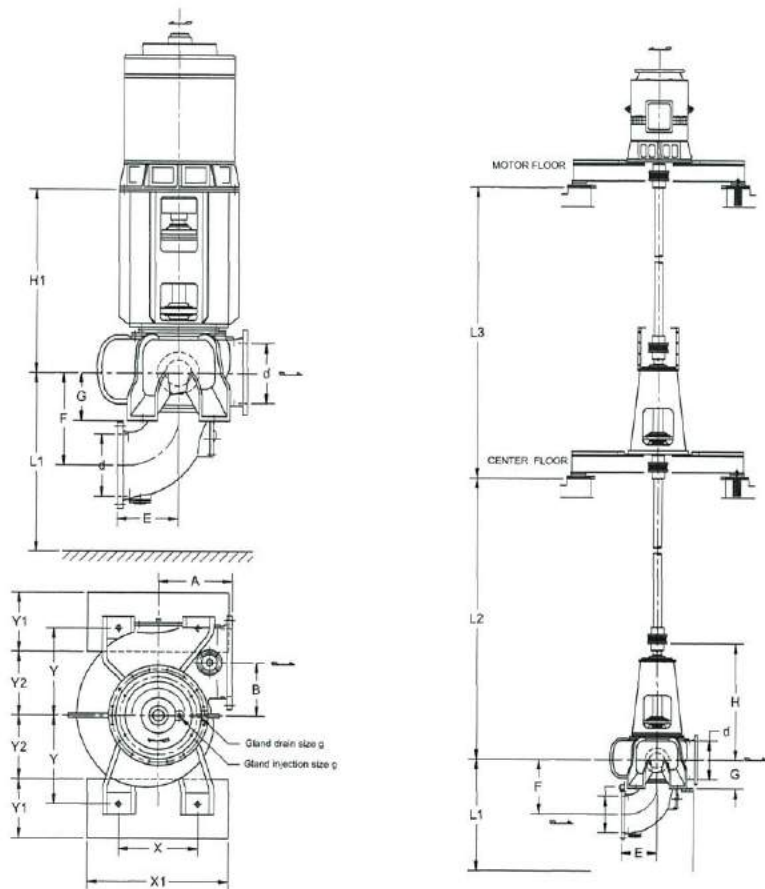


VLZ MODEL

Part No.	Part Name	Q'ty for 1 unit	Material	Part No.	Part Name	Q'ty for 1 unit	Material
1	Suction elbow	1	Cast Iron	15	Roller bearing	1 set	-
2	Liner ring	1	Stainless Steel	16	Bearing washer	1	Rolled Steel
3	Impeller	1	Stainless Steel Casting	17	Bearing nut	1	Rolled Steel
4	Casing	1	Cast Iron	18	Oil seal	1	-
5	Impeller nut	1	Stainless Steel	19	Bearing cover	1	Cast Iron
6	Impeller key	1	Stainless Steel	20	Roller bearing	1	-
7	Casing cover	1	Cast Iron	21	Bearing cover	1	Cast Iron
8	Shaft sleeve	1	Stainless Steel	22	Felt ring	2	Felt
9	Packing plate	1	Stainless Steel	23	Bearing frame	1	Rolled Steel
10	Packing	1 set	Carbonized fiber	24	Bearing cover	1	Cast Iron
11	Packing gland	1 set	Bronze	25	Shaft coupling key	1	Cast Iron
12	Pump shaft	1	Stainless Steel	26	Shaft coupling	1 set	Cast Iron
13	Oil seal	1	-	27	Coupling guard	1	Rolled Steel
14	Bearing casing	1	Cast Iron				

Note : 1. Shaft seal can be selected either gland packing or mechanical seal.
2. Other specifications and materials can be available, please consult our factory.

• OUTLINE DIMENSION AND TYPICAL ARRANGEMENT •

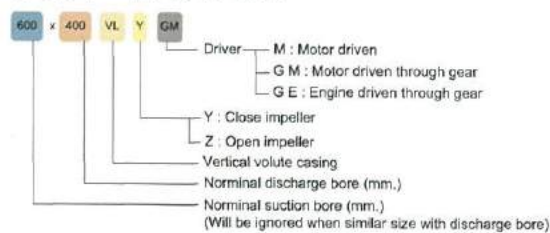


Unit : mm.

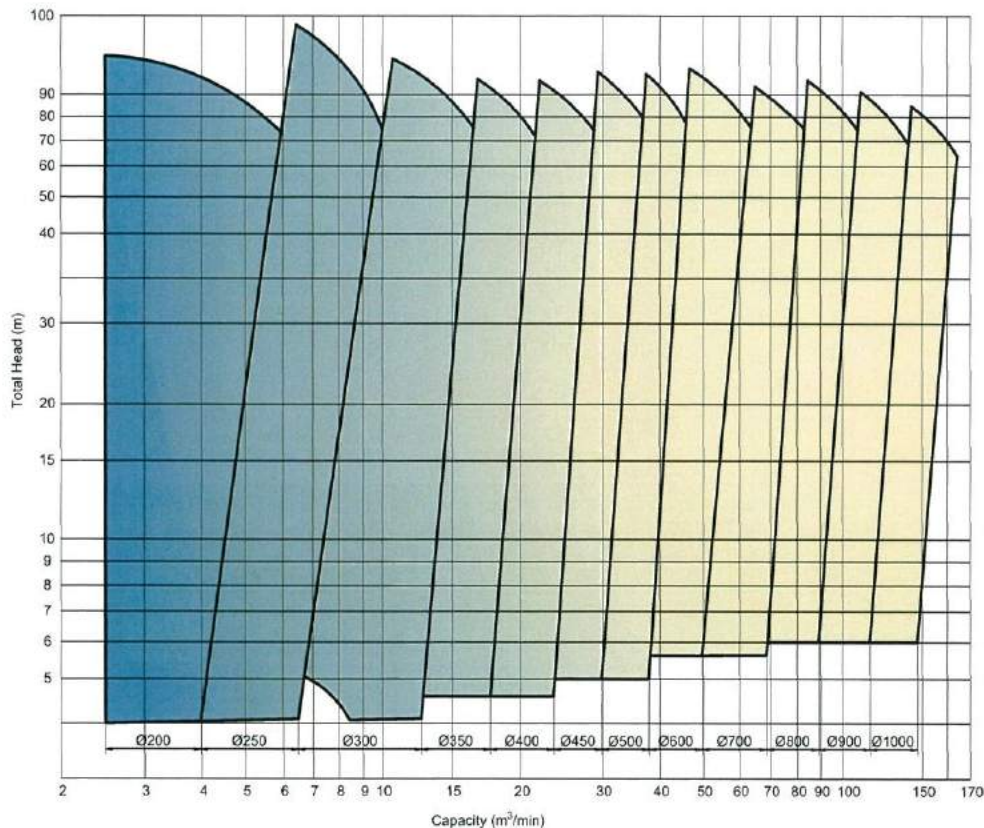
Model	Dimensions of Pumps									Dimensions for foundations							
	d	A	B	E	F	G	H	H ₁	g	X	Y	X ₁	Y ₁	Y ₂	L ₁ min.*	L ₂ max.*	L ₃ max.*
200VLX	200	310	240	330	440	185	871	1025	10	320	300	540	300	200	700	3000	3000
250VLX	250	330	260	405	535	210	881	1055	10	320	350	540	350	240	850	3000	3000
300VLX	300	355	290	480	560	235	876	1040	10	360	380	580	400	270	950	3000	3000
350VLX	340	470	290	400	600	270	1215	1415	15	400	450	800	600	300	950	3000	3000
400VLX	400	470	330	420	640	300	1235	1435	15	450	500	850	600	350	1000	3500	3500
450VLX	450	500	360	450	670	350	1255	1455	15	500	550	900	600	400	1050	3500	3500
500VLX	500	620	480	550	750	380	1610	1810	20	580	590	1000	650	420	1150	4000	4000
600VLX	600	650	510	650	900	420	1630	1830	20	680	660	1200	650	490	1350	4500	4500
700VLX	700	700	600	750	1000	470	1670	1870	20	820	750	1400	650	550	1500	5000	5000
800VLX	800	750	700	850	1350	570	2015	-	20	900	870	1500	700	650	1950	5500	5500
900VLX	900	850	800	950	1550	600	2150	-	20	1000	1020	1600	700	800	2200	6000	6000
1000VLX	1000	950	900	1100	1750	680	2300	-	20	1100	1120	1700	700	900	2450	6000	6000

Note : All Dimension for reference only
 (*) : Dimension just for guide line please contact factory for differ requirement.

• PUMP MODEL •



• SELECTION CHART •



- Note :
- Selection chart just for guidance only. Contact our factory for suitable model and application
 - Pump rating not in the chart are also available. For detail selection, please contact our factory.
 - Pump size may differ depending on the service conditions.



- **Ebara corporation**
Head Office : 11-1, Haneda Asahi-cho, Ohta-ku,
Tokyo 144-8510, Japan

AFFILIATED COMPANIES

- **Ebara Machinery Zibo Co., Ltd.**
No.517 Zunxian Road,
High and New Technology Development Zone,
Zibo City, Shandong Province 255086, P.R.China
- **Ebara Engineering Singapore Pte., Ltd.**
No.1 Tuas 2, Singapore 638550
- **Ebara (Thailand) Limited**
3 Flr, ACME Bldg., 125 Petchburi Road, Thungphayathai,
Rajthevee, Bangkok, 10400, Thailand
- **PT.Ebara Indonesia**
Jl.Raya Jakarta-Bogor KM.32, Desa Curug, Cimanggis-Depok,
Jawa Barat, 16953 Indonesia
- **Ebara Vietnam Pump Company Limited**
[Headquarters / Hai Duong Factory] Lai Cach
Industrial Zone, Lai Cach Town, Cam Giang District,
Hai Duong Province, Vietnam
- **Ebara Pumps Malaysia**
6 Jalan TP3, UEP Subang Jaya Industrial Park,
47620 Subang Jaya, Selangor, Malaysia
- **Ebara Pumps Australia Pty., Ltd.**
7 Holloway Drive Bayswater, Victoria 3153, Australia
- **Ebara Bombas America do Sul Ltda.**
Rua Joaquim Marques de Figueiredo 2-31,
CEP 17034-290 Baur SP, Brazil
- **Ebara Pumps Iberia S.A.**
Poligono Industrial La Estacion. C/Cormoranes,
6-8. 28320 Pinto (Madrid). Spain
- **Ebara Pumps Europe S.p.A.**
Via Torri di Confine 2/1 interno C,
36053 Gambellara (Vicenza) Italy