

# VARIABLE SPEED DRIVEN BOOSTER UNIT MODEL UN2

## FEATURE

### Pressure tank

Air pre-charged diaphragm construction  
High reliability and suitable for potable water

### Shut-off valve

Easy operation and high reliability type  
Useful for unit maintenance

### Check valve

Spring loaded type  
Reduces water surge at pump stop  
Prolongs the unit life and performs quiet operation

### Base plate

Robust construction and performs long stable unit operation

### Control panel for variable speed drive

Controls pumps with signal from pressure sensor  
With LCD user friendly display and operation panel  
Several operation systems and functions

### Pressure sensor

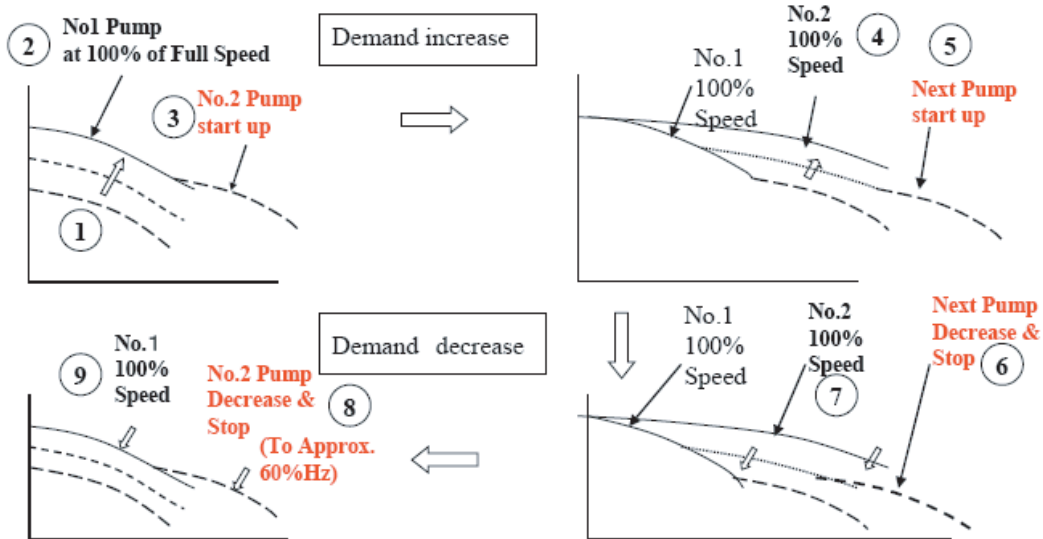
Detects the supply pressure and feeds back to the control panel  
Weather proof, trouble free from moisture and condensation

### Discharge header

Integrated manifold type  
Compact, robust and high reliability  
High grade surface finish treatment for long life

### Pump

Stainless steel construction  
High reliability and long life



### (Start ~ Water demand increase)

- When water is used, No.1 pump starts and increases the speed to maintain supply water pressure as water demand.
- No.1 pump speed becomes 100% speed (full speed),
- No.2 pump starts and then increases the speed to maintain the water supply pressure.
- No.2 pump speed reaches to 100% as water demand increase,
- Next pump starts and continues the same process as like as above

### (Water demand decrease ~ Stop)

- When water demand decreases, later started pump decreases the speed to maintain the supply water pressure and stops one by one at approx. 60% speed. And only No.1 & No.2 pump remain in operation.
- Water demand decreases more, No.2 pump decreases speed,
- Then No.2 pump stops and shift to No. 1 pump operation.
- Water demand decreases furthermore, No.1 pump decreases speed and stops finally.

# MODEL : UN2C - D, -T & - F ( 2 to 4 Pumps operation system)

UN2C - D ~ F : From Two to Four pumps with multi-inverters operation system, Supply pressure constant with pipe loss compensation control Each pump is variably speed controlled by inverter, A lot of requesting functions are provided

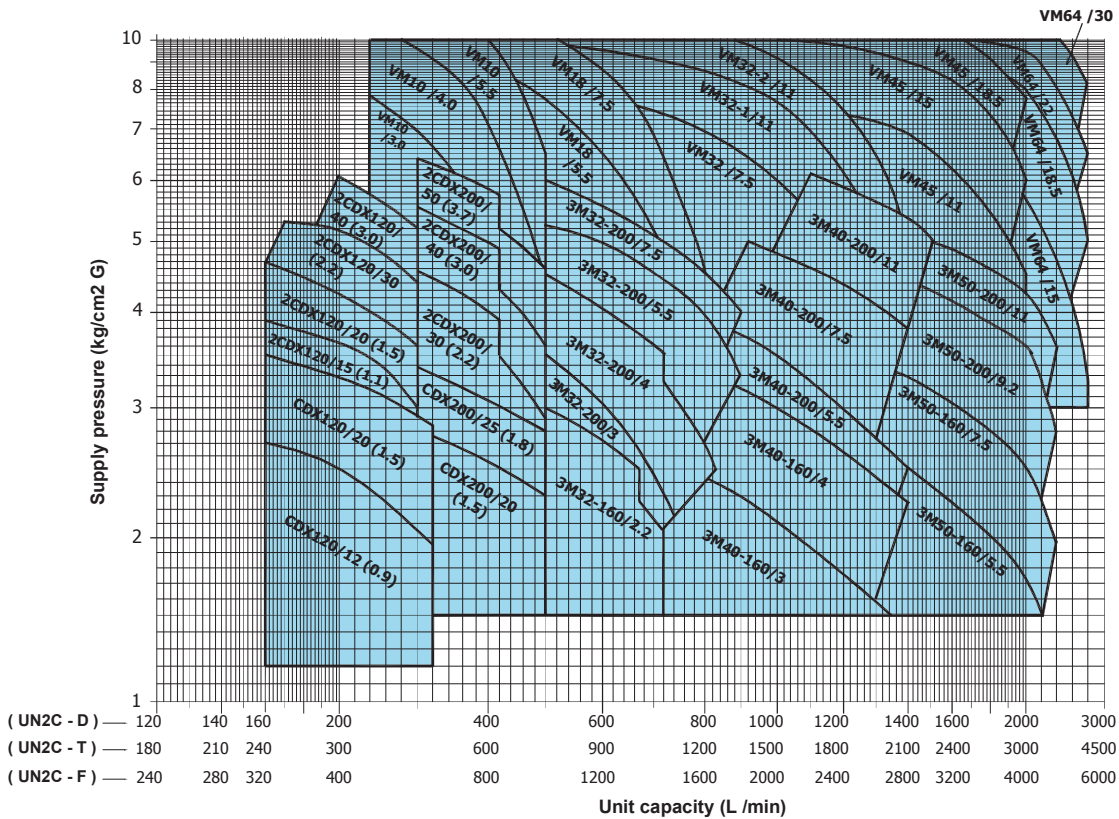
## SPECIFICATIONS STANDARD

Model		UN2C - D	UN2C - T	UN2C - F
Handled liquid property		Fresh water, 0-50 degree C		
Installation		Indoor		
Operation system	Pump speed	Variable frequency control		
	Control	Supply pressure constant with pipe loss compensation by VFD drive		
Power source		AC, Three phase, 50Hz, 380V		
Max. working pressure		8 to 10 barG (8.2 to 10.2 kg/cm2 G) ; Refer to model		
Allowable suction pressure		Min. : -0.3 bar G (-0.3kg/cm2G), Max. : +0.3 bar G (+0.3kg/cm2G)		
Pump operation No. / Inverter No.		2	3	4
Pump model		CDX, 2CDX, 3M & Vertical multistage		3M & Vertical multistage
Control panel	Starting method	Soft start		
	Construction	Dust proof type		
	Operation key	Touch panel key type		
	Display	LCD		
Pressure tank	Construction	Air precharged diaphragm type		
	Capacity	Refer to model		
Accessories		Control panel & support, Pressure sensor, Pressure tank Common base, Piping & valves, Electrical wiring		

## OPTION

Pump model / Operation No.	Other models / 5 & 6
Pressure tank	Large capacity
Installation	Outdoor
Others	On request

## SELECTION CHART AND MODEL CODE



## OPERATING DUTY SELECTION RANGE

Unit model	Motor output (kW)	Operating Pressure Range (kg/cm2 G)	Maximum Capacity (L/min)			Unit model	Motor output (kW)	Operating Pressure Range (kg/cm2 G)	Maximum Capacity (L/min)			Unit model	Motor output (kW)	Operating Pressure Range (kg/cm2 G)	Maximum Capacity (L/min)		
			UN2 - D	UN2 - T	UN2 - F				UN2C - D	UN2C - T	UN2C - F				UN2C - D	UN2C - T	UN2C - F
UN2C CDX120/12	0.9	1.2 - 2.7	320	480	640	UN2C 3M32-160/2.2	2.2	1.5 - 3.0	720	1080	1440	UN2C VM10 /3.0	3.0	5.2 - 7.7	340	510	680
UN2C CDX120/20	1.5	2.0 - 3.5	320	480	640	UN2C 3M32-200/3.0	3.0	2.1 - 3.5	740	1110	1480	UN2C VM10 /4.0	4.0	4.6 - 10	480	720	960
UN2C 2CDX120/15	1.1	3.0 - 3.9	300	450	600	UN2C 3M32-200/4.0	4.0	2.2 - 4.5	820	1230	1640	UN2C VM10 /5.5	5.5	4.6 - 10	500	750	1000
UN2C 2CDX120/20	1.5	3.0 - 4.6	300	450	600	UN2C 3M32-200/5.5	5.5	2.7 - 5.2	900	1350	1800	UN2C VM18 /5.5	5.5	5.1 - 8.3	700	1050	1400
UN2C 2CDX120/30	2.2	3.6 - 5.3	300	450	600	UN2C 3M32-200/7.5	7.5	3.6 - 6.0	900	1350	1800	UN2C VM18 /7.5	7.5	4.6 - 10	800	1200	1600
UN2C 2CDX120/40	3.0	4.4 - 6.1	300	450	600	UN2C 3M40-160/3.0	3.0	1.5 - 2.4	1340	2010	2680	UN2C VM32 /7.5	7.5	4.3 - 7.4	1060	1590	2120
UN2C CDX200/20	1.5	1.5 - 2.7	500	750	1000	UN2C 3M40-160/4.0	4.0	1.6 - 3.2	1400	2100	2800	UN2C VM32-1/11	11	5.7 - 9.8	1230	1845	2460
UN2C CDX200/25	1.8	2.3 - 3.4	500	750	1000	UN2C 3M40-200/5.5	5.5	2.3 - 3.8	1400	2100	2800	UN2C VM32-2/11	11	5.5 - 10	1360	2040	2720
UN2C 2CDX200/30	2.2	2.8 - 4.6	500	750	1000	UN2C 3M40-200/7.5	7.5	2.8 - 5.0	1400	2100	2800	UN2C VM45 /11	11	4.3 - 7.3	2000	3000	4000
UN2C 2CDX200/40	3.0	2.9 - 5.6	500	750	1000	UN2C 3M40-200/11	11	3.8 - 6.1	1500	2250	3000	UN2C VM45 /15	15	5.0 - 10	2000	3000	4000
UN2C 2CDX200/50	3.7	3.6 - 6.4	500	750	1000	UN2C 3M50-160/5.5	5.5	1.5 - 2.5	2200	3300	4400	UN2C VM45 /18.5	18.5	6.5 - 10	2000	3000	4000
						UN2C 3M50-160/7.5	7.5	1.5 - 3.3	2400	3600	4800	UN2C VM64 /15	15	3.0 - 5.7	2800	4200	5600
						UN2C 3M50-200/9.2	9.2	2.3 - 4.3	2400	3600	4800	UN2C VM64 /18.5	18.5	4.2 - 8.3	2800	4200	5600
						UN2C 3M50-200/11	11	3.1 - 5.0	2400	3600	4800	UN2C VM64 /22	22	5.9 - 10	2800	4200	5600
											UN2C VM64 /30	30	7.0 - 10	2800	4200	5600	

# MODEL : UN2A -DS & -DM ( 2 Pumps operation system)

**DS** : Two pumps with One inverter operation system, Supply pressure constant with pipe loss compensation control  
One pump is variably speed controlled by inverter, The other pump is constant speed drive

**DM** : Two pumps with Two inverters operation system, Supply pressure constant with pipe loss compensation control  
Two pumps are variably speed controlled by inverter

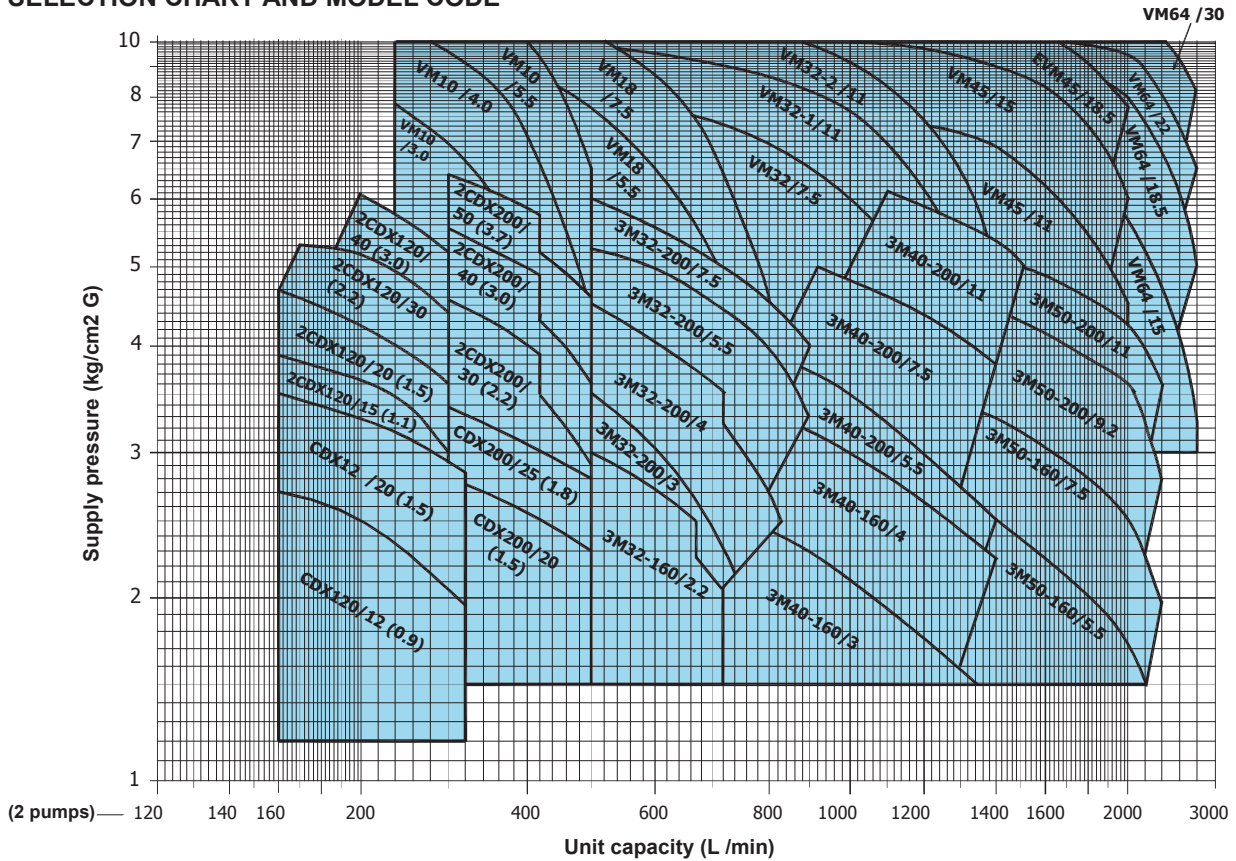
## SPECIFICATIONS STANDARD

Model		UN2A - DS	UN2A - DM
Handled liquid property		Fresh water, 0-50 degree C	
Installation		Indoor	
Operation system	Pump speed	Variable frequency control	
	Control	Supply pressure constant with pipe loss compensation by VFD drive	
Power source		AC, Three phase, 50Hz, 380V	
Max. working pressure		8 to 10 barG (8.2 to 10.2 kg/cm2 G) ; Refer to model	
Allowable suction pressure		Min. : -0.3 bar G (-0.3kg/cm2G), Max. : +0.3 bar G (+0.3kg/cm2G)	
Pump operation No. / Inverter No.		2 / 1	2 / 2
Pump model		CDX, 2CDX, 3M & Vertical multistage	
Control panel	Starting method	No.1 Pump: Soft start No.2 Pump: DOL or Star-Delta	No.1 & 2 Pump : Soft start
	Construction	Dust proof type	
	Operation key	Touch panel key type	
	Display	LCD	
Pressure tank	Construction	Air precharged diaphragm type	
	Capacity	Refer to model	
Accessories		Control panel & support, Pressure sensor, Pressure tank Common base, Piping & valves, Electrical wiring	

## OPTION

Pump model	Other models
Pump operation No.	3 ( 2 VFD + 1 Constant speed )
Pressure tank	Large capacity
Installation	Outdoor
Others	On request

## SELECTION CHART AND MODEL CODE



## OPERATING DUTY SELECTION RANGE

Unit model	Motor output (kW)	Operating Pressure Range (kg/cm2 G)		Maximum Capacity (L/min)	Unit model	Motor output (kW)	Operating Pressure Range (kg/cm2 G)		Maximum Capacity (L/min)	Unit model	Motor output (kW)	Operating Pressure Range (kg/cm2 G)		Maximum Capacity (L/min)
		UN2A - DS	UN2A - DM				UN2A - DS	UN2A - DM				UN2A - DS	UN2A - DM	
UN2A CDX120/12	0.9	2.0 - 2.7	1.2 - 2.7	320	UN2A 3M32-160/2.2	2.2	2.5 - 3.0	1.5 - 3.0	*670/720	UN2A VM10 /3.0	3.0	6.2 - 7.7	5.2 - 7.7	340
UN2A CDX120/20	1.5	2.9 - 3.5	2.0 - 3.5	320	UN2A 3M32-200/3.0	3.0	2.2 - 3.5	2.1 - 3.5	740	UN2A VM10 /4.0	4.0	4.6 - 10	4.6 - 10	480
UN2A 2CDX120/15	1.1	3.0 - 3.9	3.0 - 3.9	300	UN2A 3M32-200/4.0	4.0	3.5 - 4.5	2.2 - 4.5	*720/820	UN2A VM10 /5.5	5.5	6.4 - 10	4.6 - 10	500
UN2A 2CDX120/20	1.5	3.6 - 4.6	3.0 - 4.6	300	UN2A 3M32-200/5.5	5.5	3.3 - 5.2	2.7 - 5.2	900	UN2A VM18 /5.5	5.5	5.1 - 8.3	5.1 - 8.3	700
UN2A 2CDX120/30	2.2	4.4 - 5.3	3.6 - 5.3	300	UN2A 3M32-200/7.5	7.5	4.0 - 6.0	3.6 - 6.0	900	UN2A VM18 /7.5	7.5	4.6 - 10	4.6 - 10	800
UN2A 2CDX120/40	3.0	5.2 - 6.1	4.4 - 6.1	300	UN2A 3M40-160/3.0	3.0	1.5 - 2.4	1.5 - 2.4	1340	UN2A VM32 /7.5	7.5	5.7 - 7.4	4.3 - 7.4	1060
UN2A CDX200/20	1.5	2.3 - 2.7	1.5 - 2.7	500	UN2A 3M40-160/4.0	4.0	2.3 - 3.2	1.6 - 3.2	1400	UN2A VM32-1 /11	11	5.8 - 9.8	5.7 - 9.8	1230
UN2A CDX200/25	1.8	2.8 - 3.4	2.3 - 3.4	500	UN2A 3M40-200/5.5	5.5	2.5 - 3.8	2.3 - 3.8	1400	UN2A VM32-2 /11	11	5.5 - 10	5.5 - 10	1360
UN2A 2CDX200/30	2.2	3.9 - 4.6	2.8 - 4.6	*420/500	UN2A 3M40-200/7.5	7.5	3.8 - 5.0	2.8 - 5.0	1400	UN2A VM45 /11	11	4.4 - 7.3	4.3 - 7.3	2000
UN2A 2CDX200/40	3.0	4.9 - 5.6	2.9 - 5.6	*420/500	UN2A 3M40-200/11	11	5.0 - 6.1	3.8 - 6.1	1500	UN2A VM45 /15	15	6.0 - 10	5.0 - 10	2000
UN2A 2CDX200/50	3.7	5.8 - 6.4	3.6 - 6.4	*420/500	UN2A 3M50-160/5.5	5.5	1.5 - 2.5	1.5 - 2.5	2200	UN2A VM45 /18.5	18.5	7.8 - 10	6.5 - 10	2000
					UN2A 3M50-160/7.5	7.5	2.0 - 3.3	1.5 - 3.3	2400	UN2A VM64 /15	15	3.3 - 5.7	3.0 - 5.7	2800
					UN2A 3M50-200/9.2	9.2	2.8 - 3.8	2.3 - 4.3	2400	UN2A VM64 /18.5	18.5	5.0 - 8.3	4.2 - 8.3	2800
					UN2A 3M50-200/11	11	3.6 - 5.0	3.1 - 5.0	2400	UN2A VM64 /22	22	6.5 - 10	5.9 - 10	2800
										UN2A VM64 /30	30	8.2 - 10	7.0 - 10	2800

Note )

1. Available "Operating Pressure Range" is different between model UN2A-DS & UN2A-DM.
2. \* Max. capacity is shown as UN2A-S / UN2A-DM.

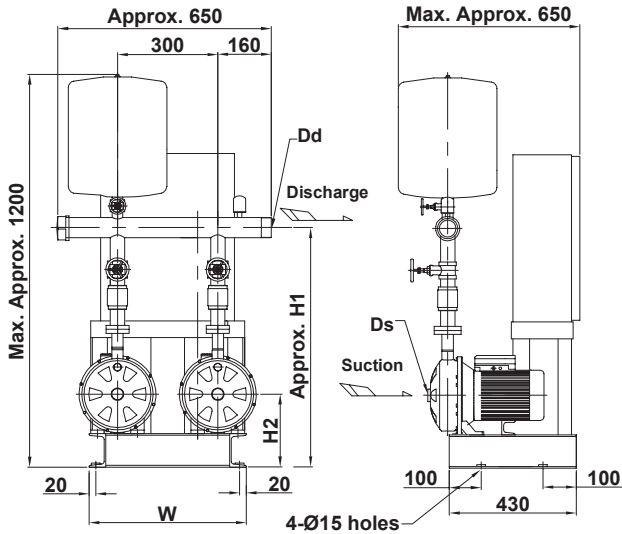




# MODEL : UN2A - DS & UN2A - DM, UN2C - D

## DIMENSIONS

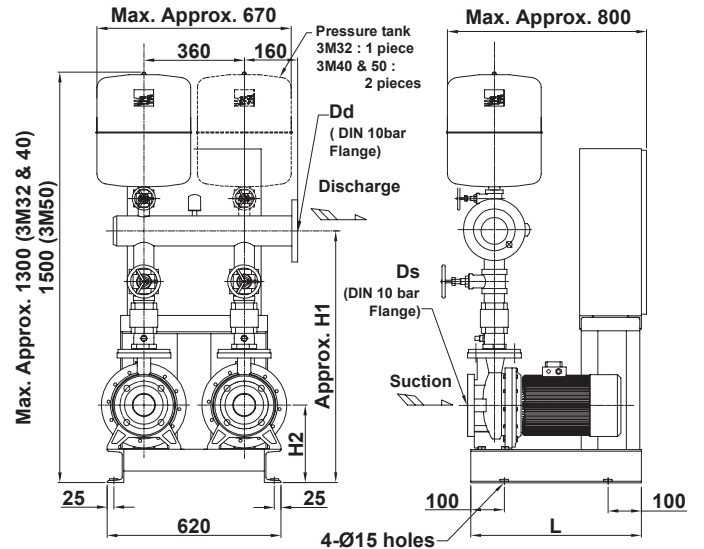
### MODEL UN2A-DS & DM, UN2C-D CDX & 2CDX



DIMENSION TABLE

Model	kW	Ds	Dd	H1	H2	W	Approx. Weight
UN2 - D CDX120/12	0.9	G 1 1/4	R 1 1/2	675	206	480	65 / 69
UN2 - D CDX120/20	1.5	G 1 1/4	R 1 1/2	695	218	480	73 / 77
UN2 - D 2CDX120/15	1.1	G 1 1/4	R 1 1/2	675	206	480	70 / 74
UN2 - D 2CDX120/20	1.5	G 1 1/4	R 1 1/2	675	206	480	73 / 77
UN2 - D 2CDX120/30	2.2	G 1 1/4	R 1 1/2	695	218	480	86 / 90
UN2 - D 2CDX120/40	3.0	G 1 1/4	R 1 1/2	695	218	480	92 / 96
UN2 - D CDX200/20	1.5	G 1 1/2	R 2	675	206	480	69 / 73
UN2 - D CDX200/25	1.8	G 1 1/2	R 2	695	218	480	74 / 78
UN2 - D 2CDX200/30	2.2	G 1 1/2	R 2	675	206	480	90 / 94
UN2 - D 2CDX200/40	3.0	G 1 1/2	R 2	695	218	480	90 / 94
UN2 - D 2CDX200/50	3.7	G 1 1/2	R 2	695	218	510	106 / 110

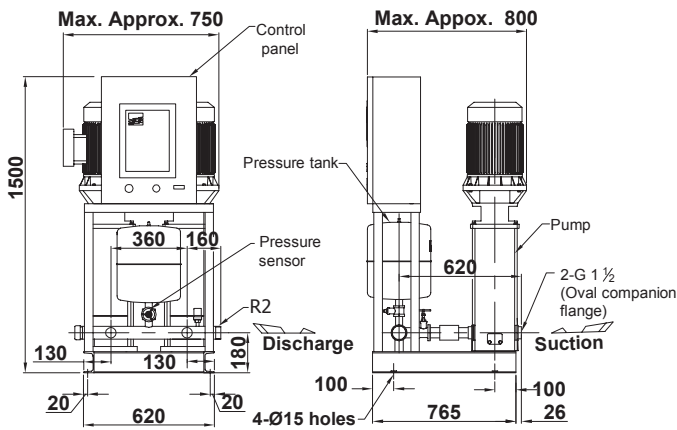
### MODEL UN2A-DS & DM, UN2C-D 3M



DIMENSION TABLE

Model	kW	Ds	Dd	H1	H2	L	Approx. Weight
UN2 - D 3M32-160/2.2	2.2	Ø50	Ø65	755	232	520	110 / 114
UN2 - D 3M32-200/3.0	3.0	Ø50	Ø65	805	260	520	123 / 127
UN2 - D 3M32-200/4.0	4.0	Ø50	Ø65	805	260	520	136 / 140
UN2 - D 3M32-200/5.5	5.5	Ø50	Ø65	805	260	560	158 / 166
UN2 - D 3M32-200/7.5	7.5	Ø50	Ø65	805	260	560	170 / 178
UN2 - D 3M40-160/3.0	3.0	Ø65	Ø80	800	232	520	115 / 119
UN2 - D 3M40-160/4.0	4.0	Ø65	Ø80	800	232	520	129 / 133
UN2 - D 3M40-200/5.5	5.5	Ø65	Ø80	850	260	560	160 / 168
UN2 - D 3M40-200/7.5	7.5	Ø65	Ø80	850	260	560	183 / 191
UN2 - D 3M40-200/11	11	Ø65	Ø80	850	260	650	208 / 218
UN2 - D 3M50-160/5.5	5.5	Ø65	Ø100	935	260	560	165 / 195
UN2 - D 3M50-160/7.5	7.5	Ø65	Ø100	935	260	560	187 / 195
UN2 - D 3M50-200/9.2	9.2	Ø65	Ø100	955	260	650	205 / 215
UN2 - D 3M50-200/11	11	Ø65	Ø100	955	260	650	210 / 220

### MODEL UN2A-DS & DM, UN2C-D VM10



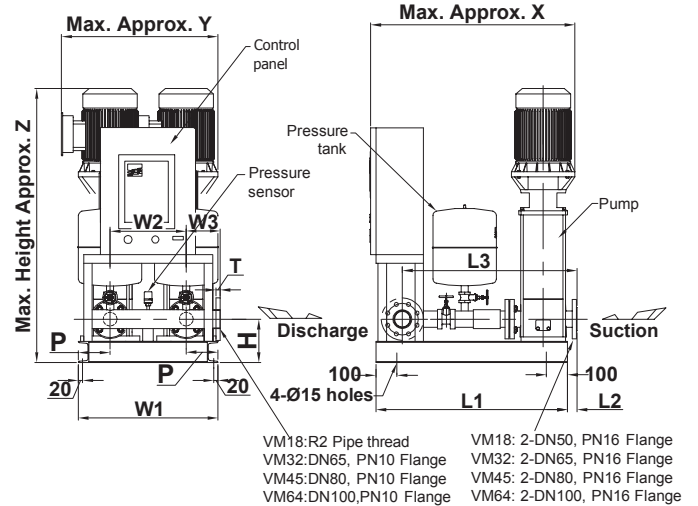
Unit model	Approx. Weight
UN2 - D VM10 /3.0	230 / 245
UN2 - D VM10 /4.0	260 / 270
UN2 - D VM10 /5.5	290 / 300

#### Flange dimensions

Size	D1	D2	T	n
DN50	165	125	18	4
DN65	185	145	18	4
DN80	200	160	20	8
DN100	220	180	20	8



### MODEL UN2A-DS & DM, UN2C-D VM18 to VM64



#### Dimensions

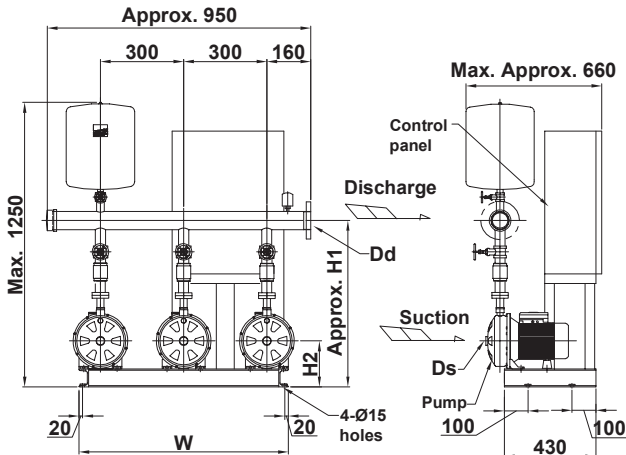
Unit model	kW	L1	L2	L3	W1	W2	W3	H	P	X	Y	Z	Approx. Weight
UN2 - D VM18 /5.5	5.5	830	50	705	620	360	160	190	130	950	800	1550	310 / 310
UN2 - D VM18 /7.5	7.5	830	50	705	620	360	160	190	130	950	800	1550	340 / 340
UN2 - D VM32 /7.5	7.5	970	45	860	660	360	200	205	150	1100	800	1400	440 / 460
UN2 - D VM32-1 /11	11	970	45	860	660	360	200	205	150	1100	800	1400	530 / 545
UN2 - D VM32-2 /11	11	970	45	860	660	360	200	205	150	1100	800	1400	540 / 550
UN2 - D VM45 /11	11	1110	47.5	953	770	360	250	240	205	1200	950	1400	560 / 570
UN2 - D VM45 /15	15	1110	47.5	953	770	360	250	240	205	1200	950	1700	735 / 765
UN2 - D VM45 /18.5	18.5	1110	47.5	953	770	360	250	240	205	1200	950	1700	850 / 880
UN2 - D VM64 /15	15	965	47.5	833	860	450	250	240	205	1100	1050	1700	760 / 790
UN2 - D VM64 /18.5	18.5	965	47.5	833	860	450	250	240	205	1100	1050	1700	820 / 855
UN2 - D VM64 /22	22	965	47.5	833	860	450	250	240	205	1100	1050	1800	920 / 950
UN2 - D VM64 /30	30	965	47.5	833	860	450	250	240	205	1100	1050	1800	1100 / 1050

- Note : 1) kW shows output per 1 pump.  
2) Actual components layout will differ from above drawings in some models.  
3) Unit model "UN2 - D" shows "UN2A-DS", "UN2A-DM" and "UN2C-D".  
4) "Approx weight" shows as "UN2A-DS or UN2A-DM model weight" / "UN2C-D model weight".

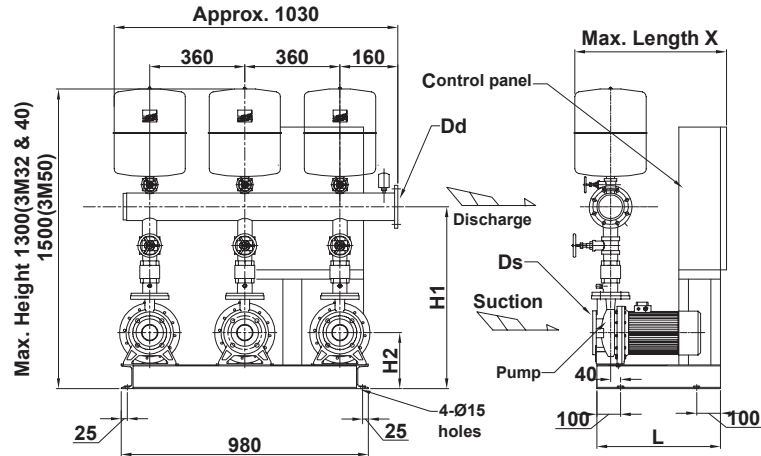
# MODEL : UN2C - T

## DIMENSIONS

### MODEL UN2C- T CDX & 2CDX



### MODEL UN2C- T 3M



DIMENSION TABLE

Unit : H1 & H2 (mm)  
Weight (kg)

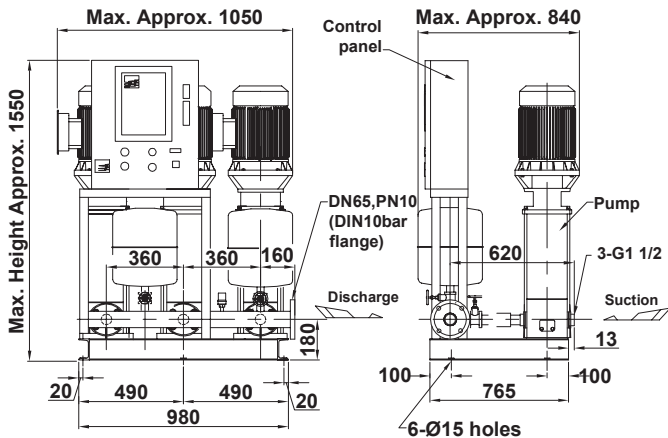
Model	kW	Ds	Dd	H1	H2	W	Approx. Weight
UN2C-T CDX120/12	0.9	G 1 1/4	R 2	675	206	780	99
UN2C-T CDX120/20	1.5	G 1 1/4	R 2	695	218	780	112
UN2C-T 2CDX120/15	1.1	G 1 1/4	R 2	675	206	780	108
UN2C-T 2CDX120/20	1.5	G 1 1/4	R 2	675	206	780	113
UN2C-T 2CDX120/30	2.2	G 1 1/4	R 2	695	218	780	132
UN2C-T 2CDX120/40	3.0	G 1 1/4	R 2	695	218	780	141
UN2C-T CDX200/20	1.5	G 1 1/2	DN65	675	206	780	107
UN2C-T CDX200/25	1.8	G 1 1/2	DN65	695	218	780	115
UN2C-T 2CDX200/30	2.2	G 1 1/2	DN65	675	206	780	139
UN2C-T 2CDX200/40	3.0	G 1 1/2	DN65	695	218	780	139
UN2C-T 2CDX200/50	3.7	G 1 1/2	DN65	695	218	810	209

DIMENSION TABLE

Unit : H1 to W2 (mm)  
Weight (kg)

Model	kW	Ds	Dd	H1	H2	L	Approx. Weight
UN2C-T 3M32-160/2.2	2.2	DN50	DN80	755	232	520	164
UN2C-T 3M32-200/3.0	3.0	DN50	DN80	805	260	520	189
UN2C-T 3M32-200/4.0	4.0	DN50	DN80	805	260	520	209
UN2C-T 3M32-200/5.5	5.5	DN50	DN80	805	260	560	248
UN2C-T 3M32-200/7.5	7.5	DN50	DN80	805	260	560	266
UN2C-T 3M40-160/3.0	3.0	DN65	DN100	800	232	520	179
UN2C-T 3M40-160/4.0	4.0	DN65	DN100	800	232	520	200
UN2C-T 3M40-200/5.5	5.5	DN65	DN100	850	260	560	254
UN2C-T 3M40-200/7.5	7.5	DN65	DN100	850	260	560	286
UN2C-T 3M40-200/11	11	DN65	DN100	850	260	650	413
UN2C-T 3M50-160/5.5	5.5	DN65	DN100	935	260	560	262
UN2C-T 3M50-160/7.5	7.5	DN65	DN100	935	260	560	292
UN2C-T 3M50-200/9.2	9.2	DN65	DN100	955	260	650	409
UN2C-T 3M50-200/11	11	DN65	DN100	955	260	650	416

### MODEL UN2C- T VM10

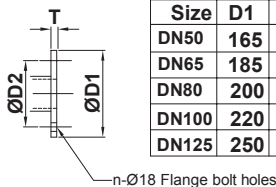


Unit : kg

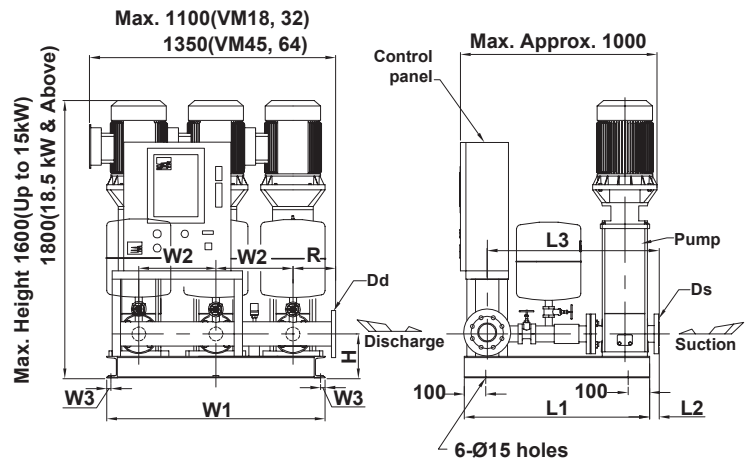
Unit model	Approx. Weight
UN2C-T VM10 /3.0	360
UN2C-T VM10 /4.0	400
UN2C-T VM10 /5.5	450

### Flange dimensions

Size	D1	D2	T	n
DN50	165	125	18	4
DN65	185	145	18	4
DN80	200	160	20	8
DN100	220	180	20	8
DN125	250	210	22	8



### MODEL UN2C- T VM18 to VM64



### Dimensions

Unit ) Weight : kg, Othres : mm

Unit model	kW	L1	L2	L3	W1	W2	W3	H	R	Ds	Dd	Approx. Weight
UN2C-T VM18 /5.5	5.5	830	50	705	980	360	20	190	160	DN50	DN65	445
UN2C-T VM18 /7.5	7.5	830	50	705	980	360	20	190	160	DN50	DN65	520
UN2C-T VM32 /7.5	7.5	910	45	800	1020	360	20	205	200	DN65	DN100	660
UN2C-T VM32-1 /11	11	910	45	800	1020	360	20	205	200	DN65	DN100	800
UN2C-T VM32-2 /11	11	910	45	800	1020	360	20	205	200	DN65	DN100	810
UN2C-T VM45 /11	11	1110	47.5	953	1140	360	25	265	250	DN80	DN100	855
UN2C-T VM45 /15	15	1110	47.5	953	1140	360	25	265	250	DN80	DN100	1100
UN2C-T VM45 /18.5	18.5	1110	47.5	953	1140	360	25	265	250	DN80	DN100	1250
UN2C-T VM64 /15	15	965	47.5	833	1320	450	25	265	250	DN100	DN125	1155
UN2C-T VM64 /18.5	18.5	965	47.5	833	1320	450	25	265	250	DN100	DN125	1250
UN2C-T VM64 /22	22	965	47.5	833	1320	450	25	265	250	DN100	DN125	1400
UN2C-T VM64 /30	30	965	47.5	833	1320	450	25	265	250	DN100	DN125	1680

Note : 1) kW shows output per 1 pump.

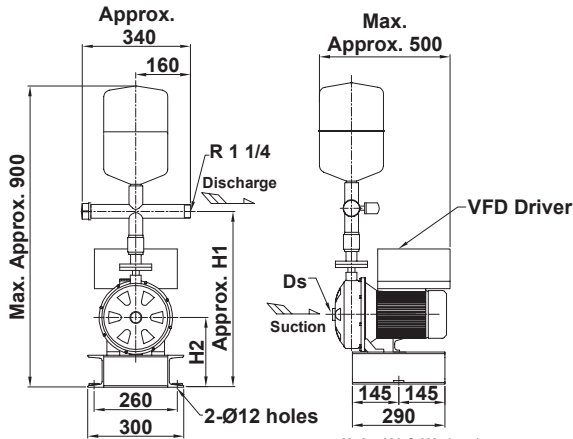
2) Dimensions for UN2C-F (4 Pumps operation system) are requested to Ebara Thailand Limited or sales representatives.

3) Actual components layout will differ from above drawings in some models.

# MODEL : UN2 -S

## ■ DIMENSIONS

### MODEL UN2-S CDX & 2CDX

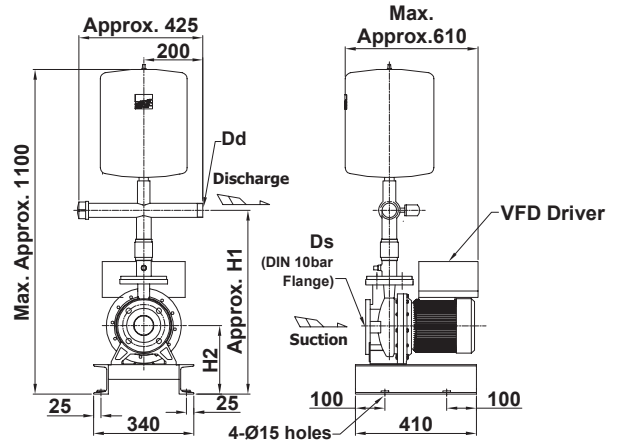


DIMENSION TABLE

Unit : H1 & H2 (mm)  
Weight (kg)

Model	kW	Ds	H1	H2	Approx. Weight
UN2-S CDX120/12	0.9	G 1 1/4	465	206	28
UN2-S CDX120/20	1.5	G 1 1/4	486	218	32
UN2-S 2CDX120/15	1.1	G 1 1/4	465	206	31
UN2-S 2CDX120/20	1.5	G 1 1/4	465	206	33
UN2-S 2CDX120/30	2.2	G 1 1/4	486	218	39
UN2-S 2CDX120/40	3.0	G 1 1/4	486	218	43
UN2-S CDX200/20	1.5	G 1 1/2	465	206	30
UN2-S CDX200/25	1.8	G 1 1/2	486	218	33
UN2-S 2CDX200/30	2.2	G 1 1/2	465	206	41
UN2-S 2CDX200/40	3.0	G 1 1/2	486	218	41
UN2-S 2CDX200/50	3.7	G 1 1/2	486	218	48

### MODEL UN2-S 3M

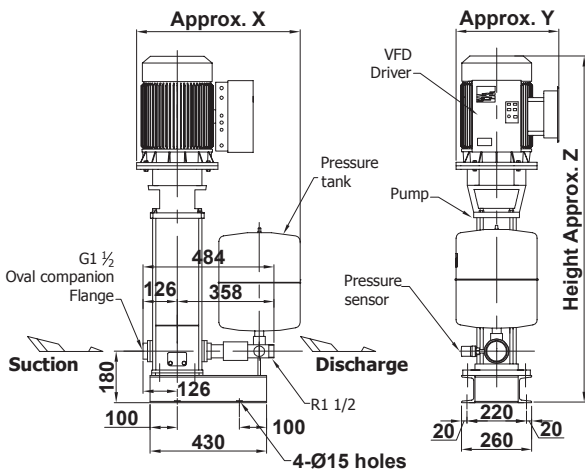


DIMENSION TABLE

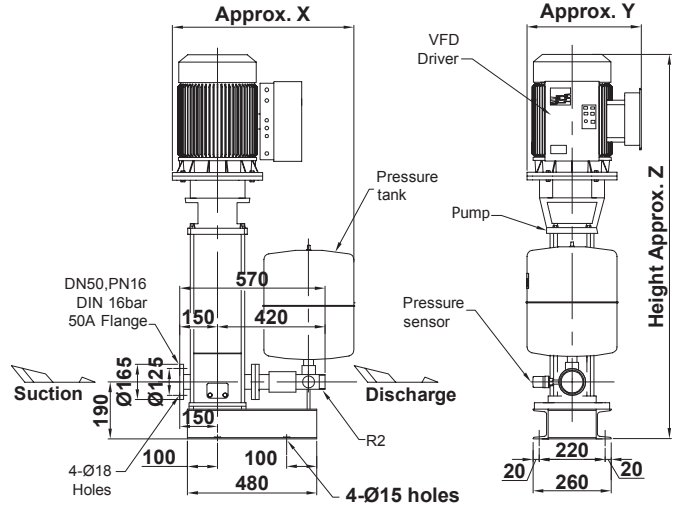
Unit : H1 & H2 (mm)  
Weight (kg)

Model	kW	Ds	Dd	H1	H2	Approx. Weight
UD2-S 3M32-160/2.2	2.2	Ø50	R 1 1/2	625	232	43
UD2-S 3M32-200/3.0	3.0	Ø50	R 1 1/2	675	260	52
UD2-S 3M32-200/4.0	4.0	Ø50	R 1 1/2	675	260	58
UD2-S 3M32-200/5.5	5.5	Ø50	R 1 1/2	675	260	67
UD2-S 3M32-200/7.5	7.5	Ø50	R 1 1/2	675	260	79
UD2-S 3M40-160/3.0	3.0	Ø65	R 2	650	232	52
UD2-S 3M40-160/4.0	4.0	Ø65	R 2	650	232	59
UD2-S 3M40-200/5.5	5.5	Ø65	R 2	695	260	72
UD2-S 3M40-200/7.5	7.5	Ø65	R 2	695	260	84

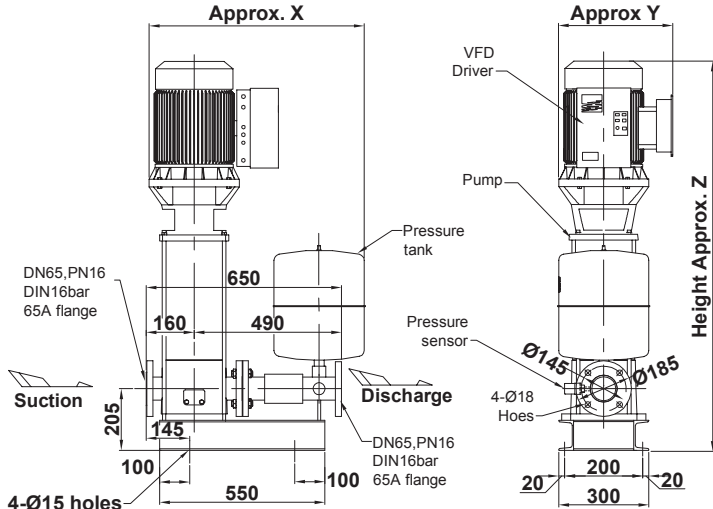
### MODEL UN2-S VM10



### MODEL UN2-S VM18



### MODEL UN2-S VM32



DIMENSION TABLE

Unit : H1 to W2 (mm)  
Weight (kg)

Model	kW	X	Y	Z	Approx. Weight
UN2-S VM10 /3.0	3.0	560	250	850	75
UN2-S VM10 /4.0	4.0	560	250	1050	87
UN2-S VM10 /5.5	5.5	610	320	1200	102
UN2-S VM18 /5.5	5.5	660	320	1000	144
UN2-S VM18 /7.5	7.5	660	320	1100	156
UN2-S VM32 /7.5	7.5	760	320	1050	181

Note: 1) All descriptions are subject to change without prior notice.  
2) Dimensions and components layout will differ in accordance with inverter brand.



**EBARA (THAILAND) LIMITED**

Head Office : 3rd FL., ACME Building, 125 Petchburi Rd., Tunghayathai, Rajthevee, Bangkok 10400, Thailand

Tel: 66 (2) 612 0322 Fax: 66 (2) 612 0331

Factory : Navanakorn Industrial Promotion Zone, 56/17 Moo 20, Tumbon Klong nung, Amphur Klong luang, Pathumthani,

Tel : 66(2) 520 5245-51 Fax : 66(2) 520 5253 ,E-mail : info@ebara.co.th Website : www.ebara.co.th